

Marimba One™

WAVE™ Vibe
OWNER'S MANUAL

FOR ASSEMBLY, YOU WILL NEED:

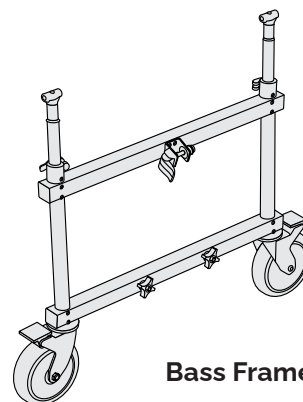
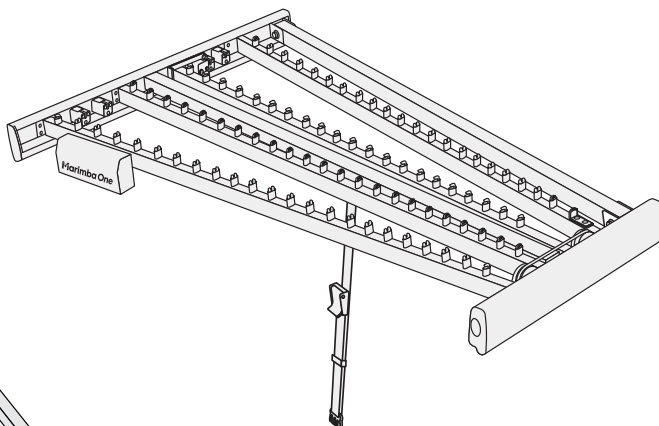
- A large open space with carpet (or a blanket to cover the floor)
- An assistant to help you with assembly

1

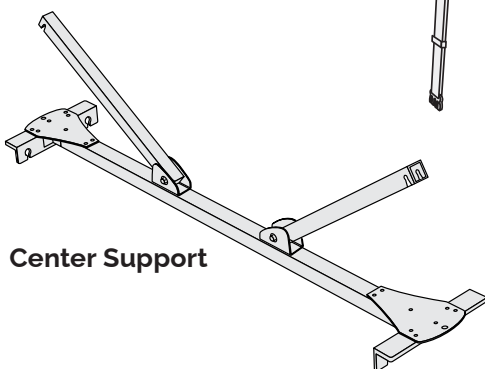
CAREFULLY UNPACK YOUR CRATE

Compare the seven components as shown on this page.

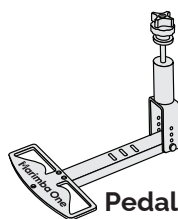
Harp



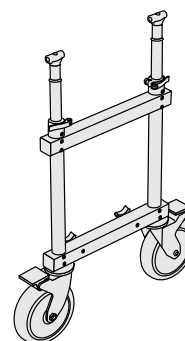
Bass Frame



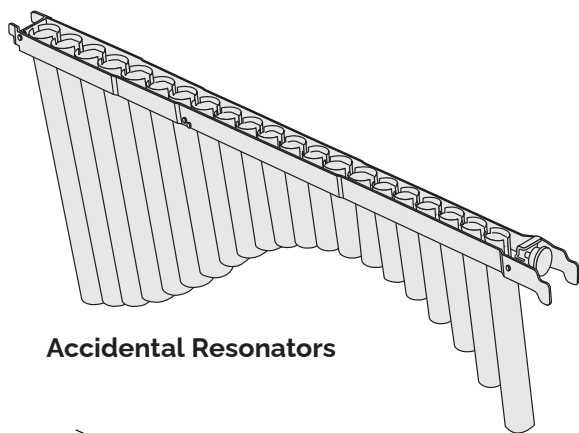
Center Support



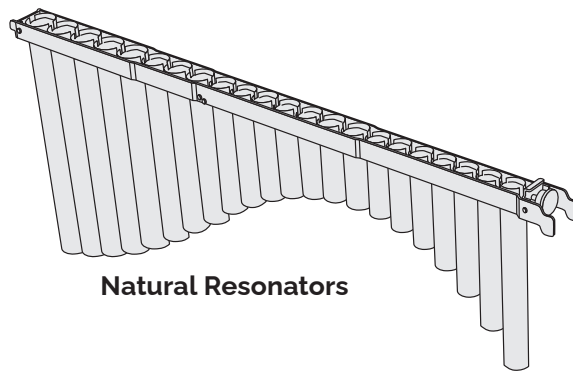
Pedal



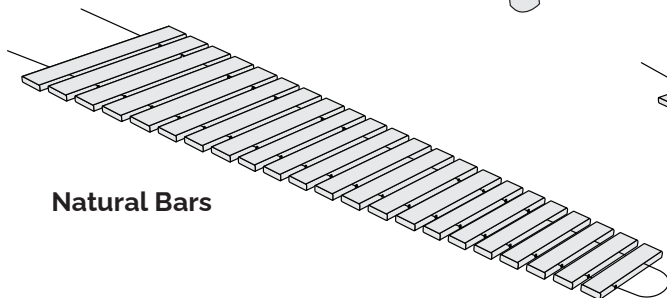
Treble Frame



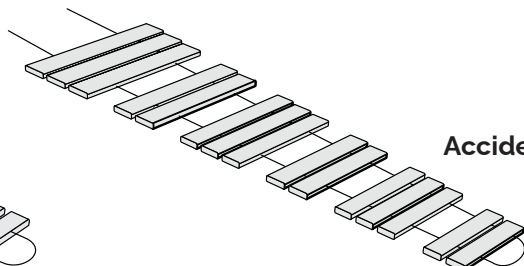
Accidental Resonators



Natural Resonators



Natural Bars



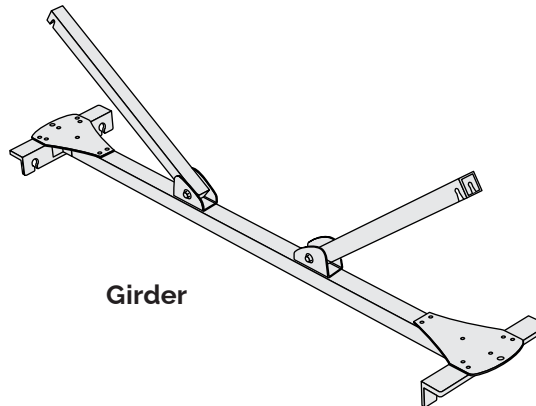
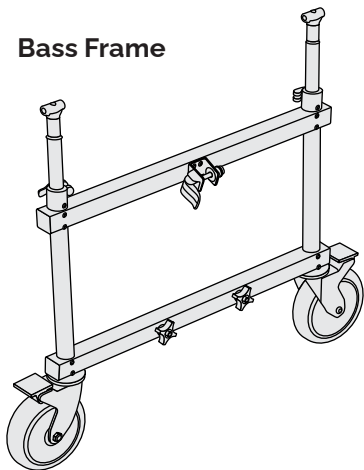
Accidental Bars

2

ARRANGE FRAME COMPONENTS

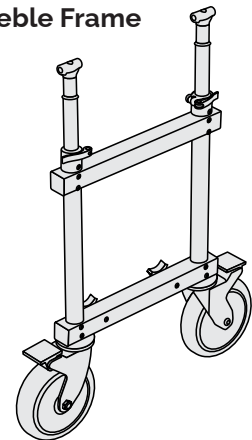
In a large open space with carpeting (or a blanket), arrange the frame components.

Bass Frame



Girder

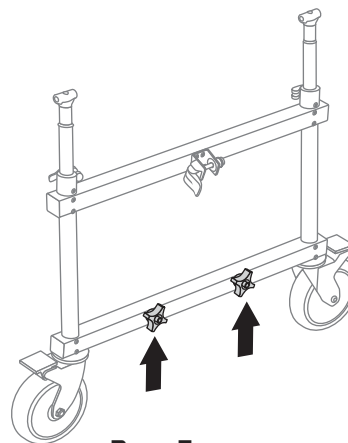
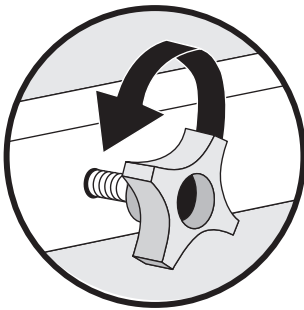
Treble Frame



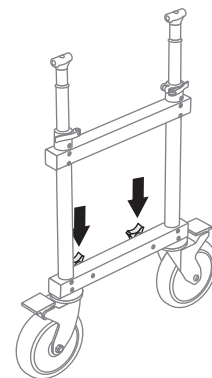
3

LOOSEN KNOBS

Turn knobs counterclockwise.



Bass Frame

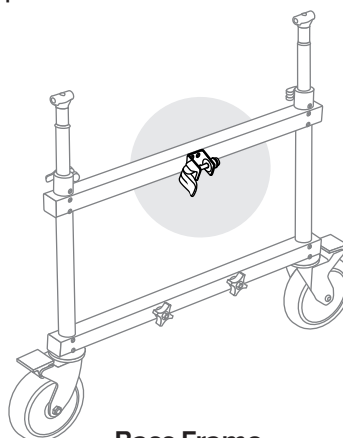


Treble Frame

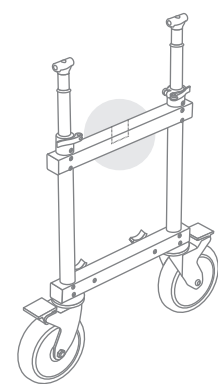
4

OPEN WAVE-LOCK LEVERS

Push WAVE-lock levers into open position.



Bass Frame

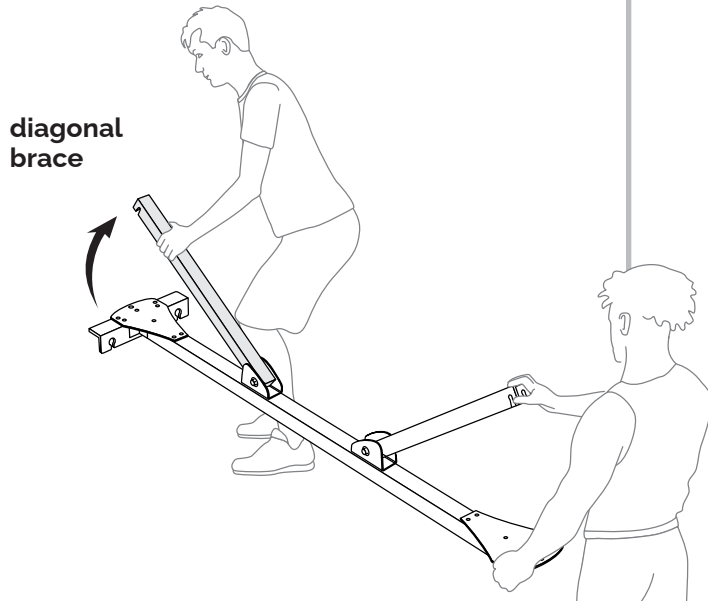


Treble Frame

CENTER SUPPORT

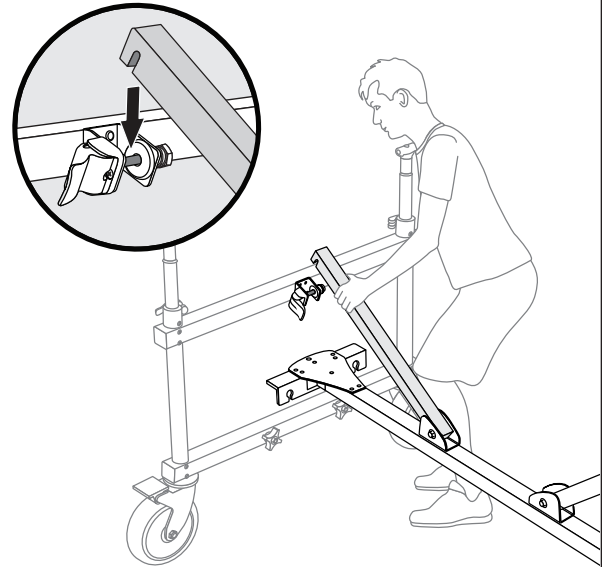
5 LIFT DIAGONAL BRACE

Have assistant hold bass frame upright. Lift brace into open position.



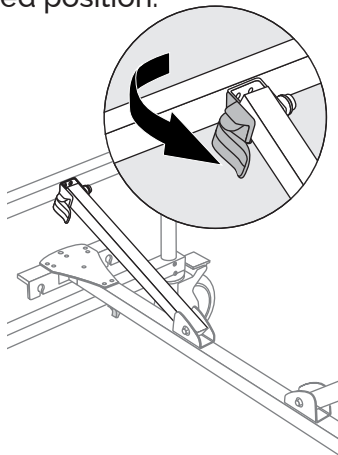
6 ATTACH DIAGONAL BRACE

Lower slot onto clamp rod.



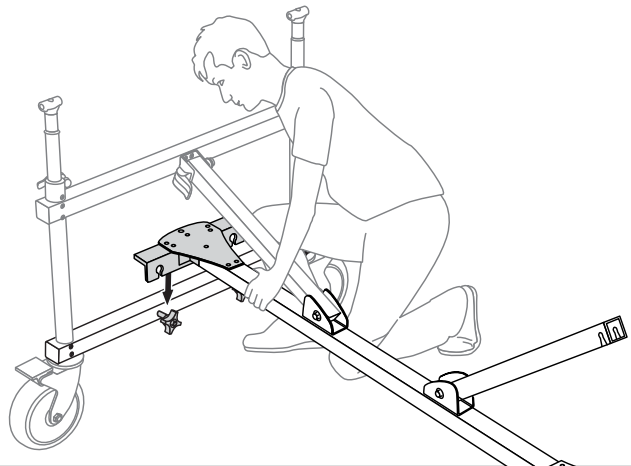
7 SECURE DIAGONAL BRACE

Push WAVE-lock lever into closed position.



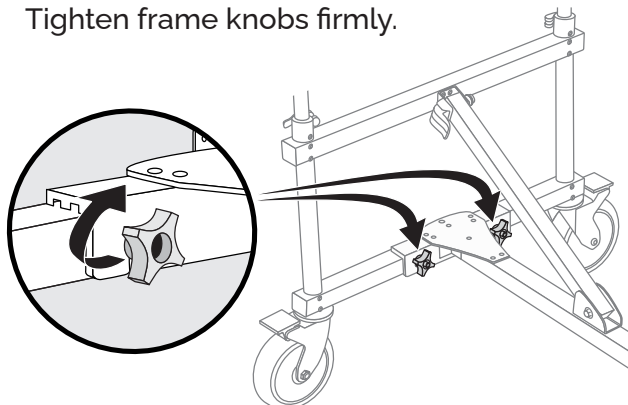
8 ATTACH GIRDER PLATE

Lower girder plate notches onto frame knobs.



9 SECURE GIRDER PLATE

Tighten frame knobs firmly.



10 VERIFY CLAMPS AND KNOBS ARE SECURELY TIGHTENED

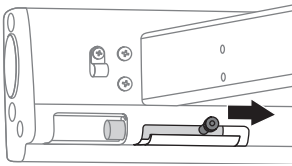
11 REPEAT PROCESS FOR TREBLE FRAME

HARP

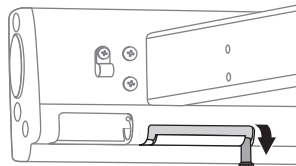
12

PREPARE HARP

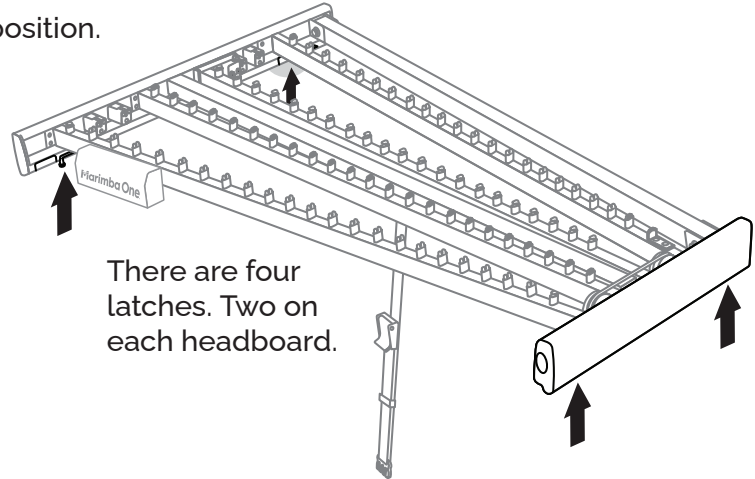
Slide latches into open and secured position.



Open



Secured

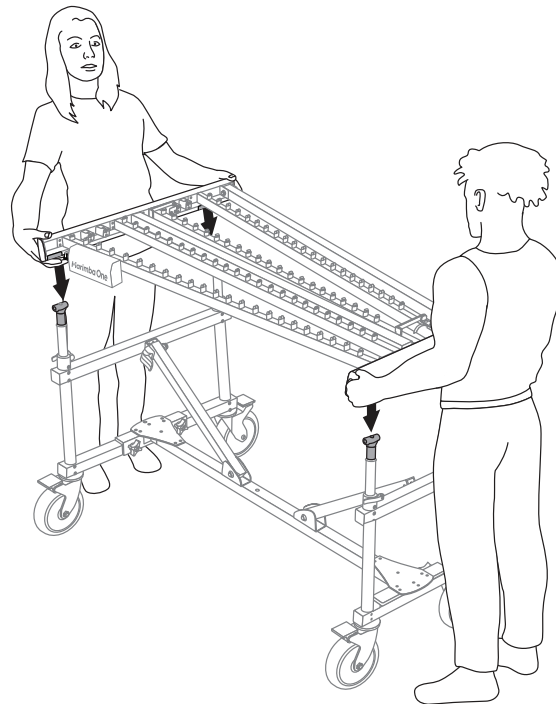
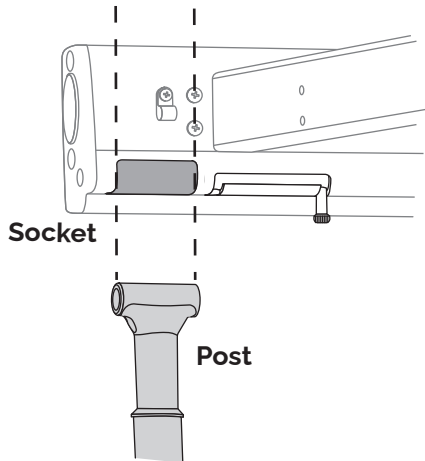


There are four latches. Two on each headboard.

13

POSITION HARP

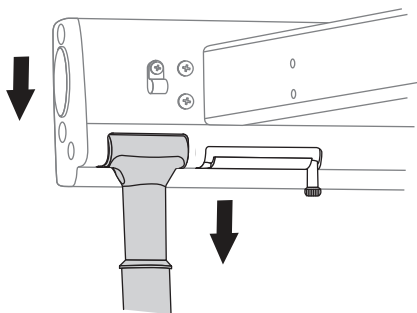
With an assistant, align headboard sockets over frame posts.



14

CONNECT HARP AND FRAME

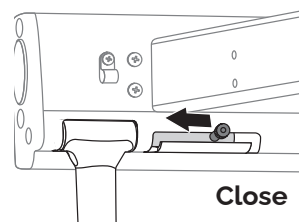
Gently lower harp onto posts.



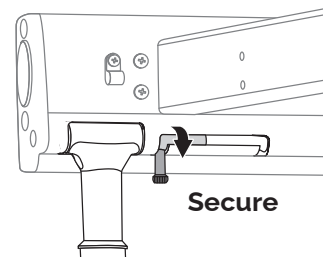
15

SECURE HARP TO FRAME

Slide latches into closed and secured position.



Close

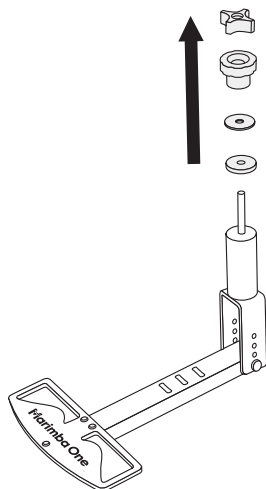


Secure

PEDAL

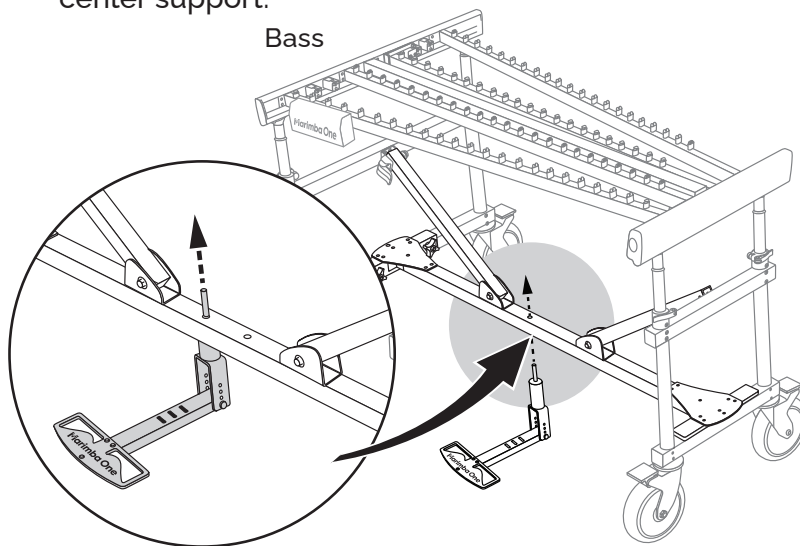
16 REMOVE PARTS

Remove knob, threaded wheel, metal washer, and the black plastic washer.



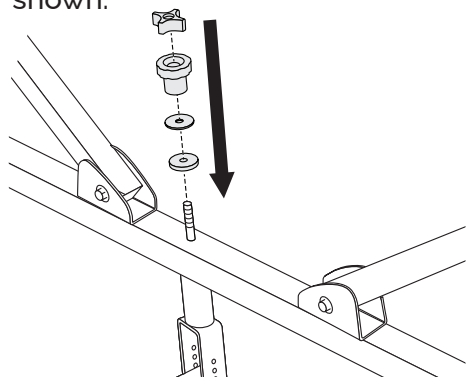
17 INSERT PEDAL BOLT

Slide bolt through hole on the bass end (left side) of the center support.



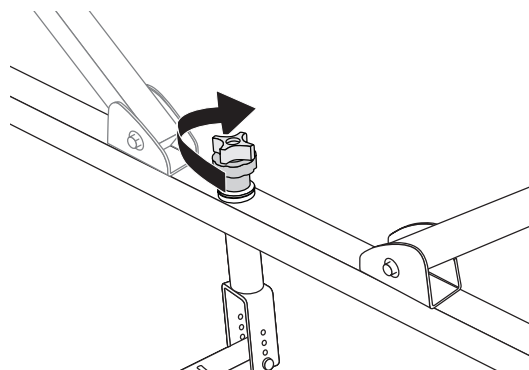
18 SECURE PEDAL

Place black plastic washer, metal washer, threaded wheel, and knob onto bolt in the order shown.



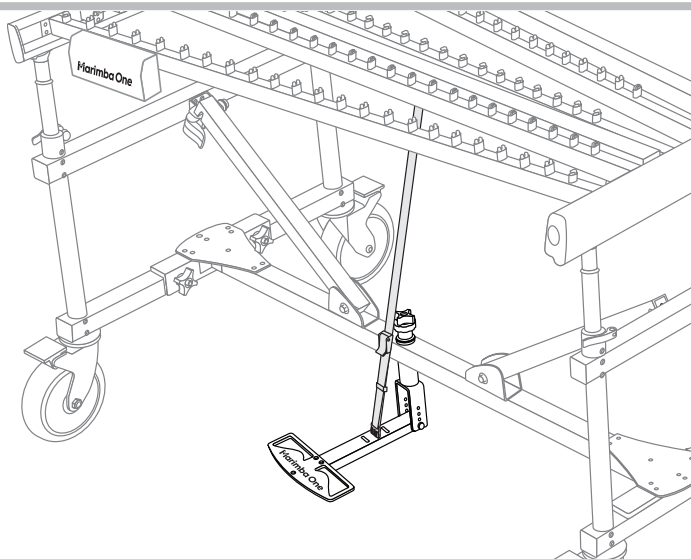
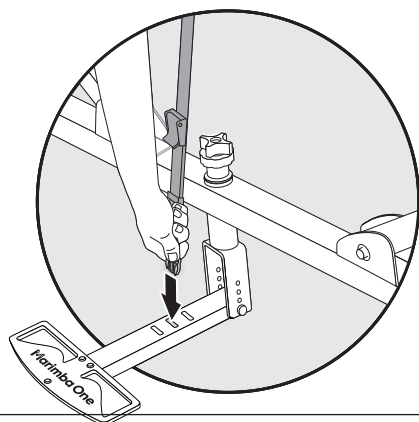
19 TIGHTEN KNOBS

Adjust tension using both wheel and threaded knob.



20 ATTACH STRAP

Insert strap clip into slot on pedal.

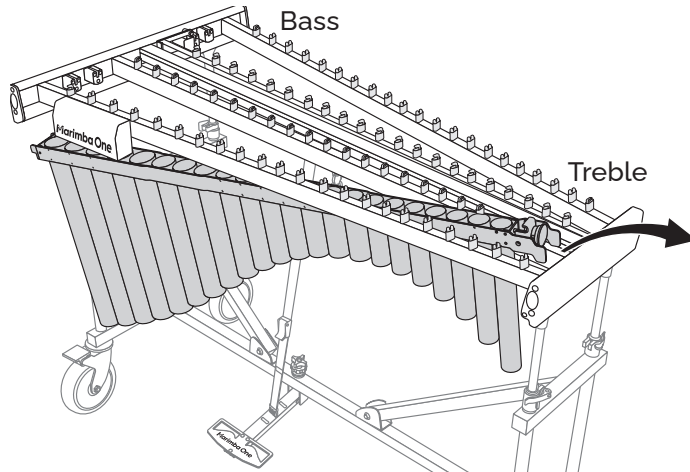


RESONATORS

21

POSITION TREBLE END

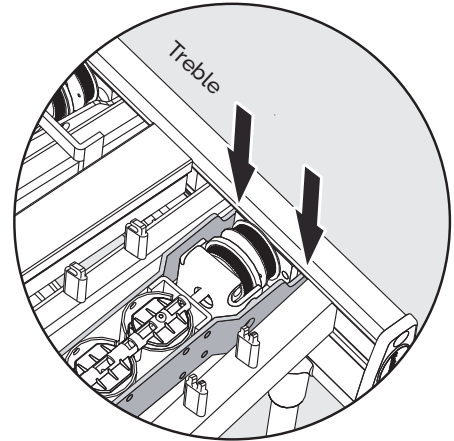
First, position treble end of resonators onto treble end headboard.



22

INSERT RESONATORS

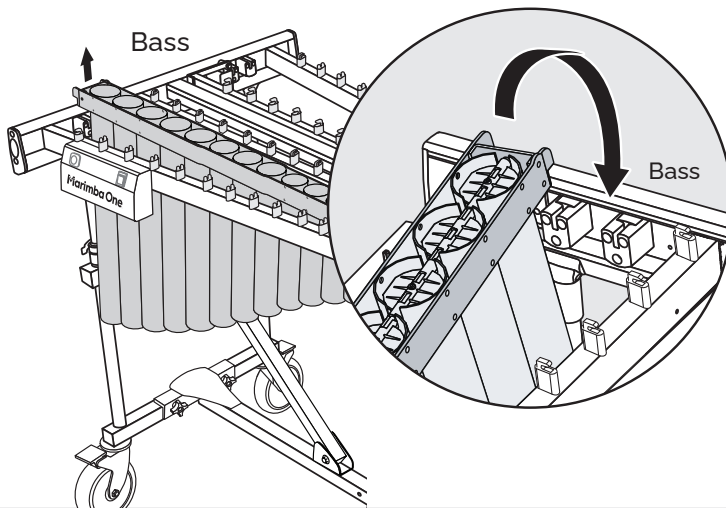
Insert resonators into the treble headboard.



23

LIFT BASS END

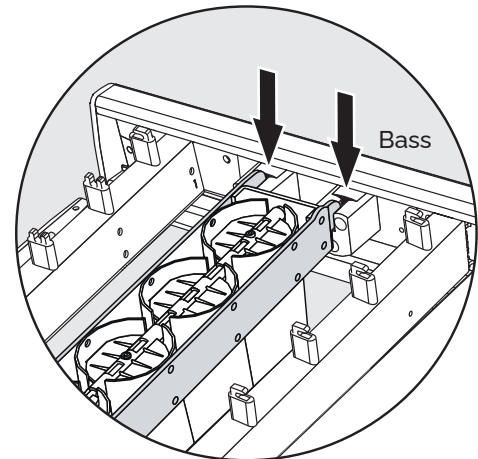
Lift bass end of resonators above top edge of bass headboard.



24

INSERT RESONATORS

Insert resonators into slots on bass headboard.



25

CHECK FIT

Push down on the resonators on the treble end to make sure they are fully in place.

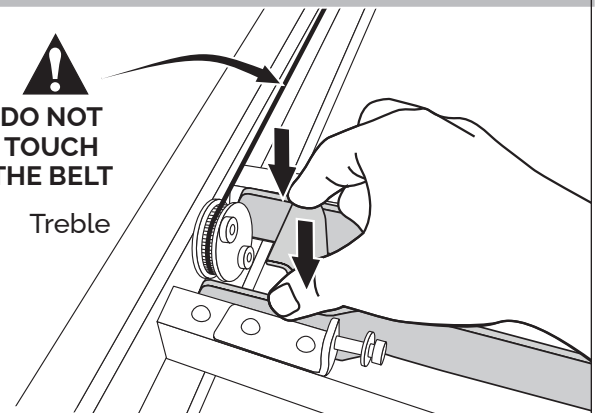
MAGNETIC DRIVE SYSTEM

Once the resonators are placed into the frame, the resonators fans are ready to rotate.

Our patented Magnetic Drive System eliminates the need for hooking up belts and cables.


DO NOT TOUCH THE BELT

Treble



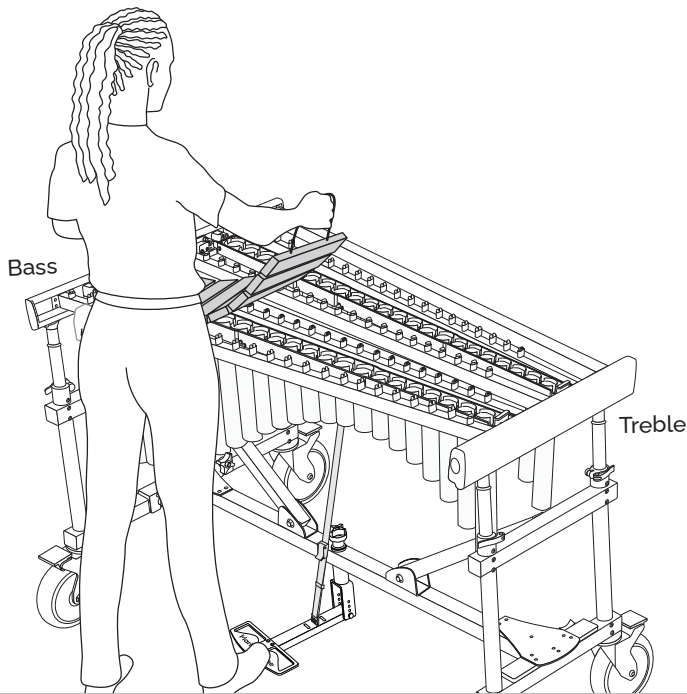
26

REPEAT FOR OTHER RESONATORS

KEYBOARDS

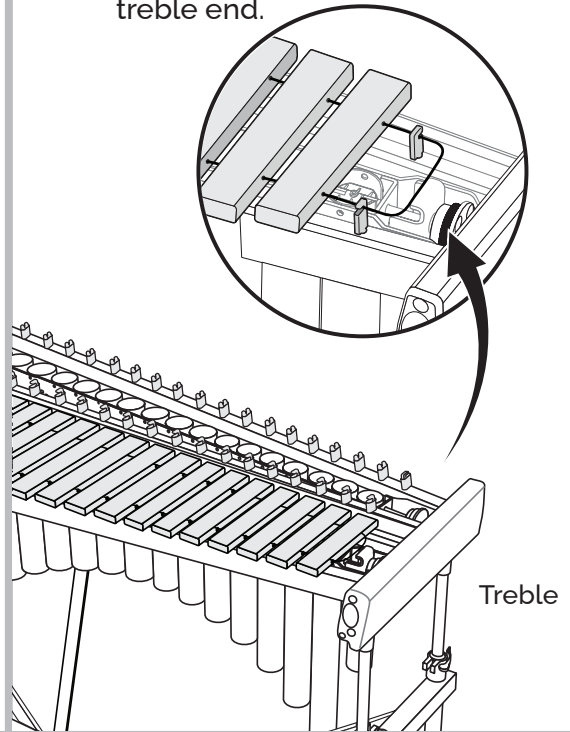
27 POSITION NATURAL KEYBOARD

Hold cords, push pedal down with foot, lay keyboard onto rails 1 and 2.



28 SECURE TREBLE END

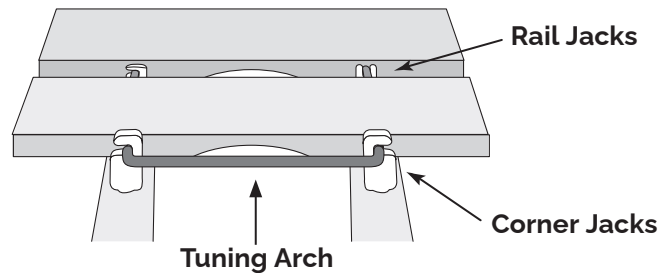
Slide cord around corner jacks on treble end.



29 POSITION BARS ON RAILS

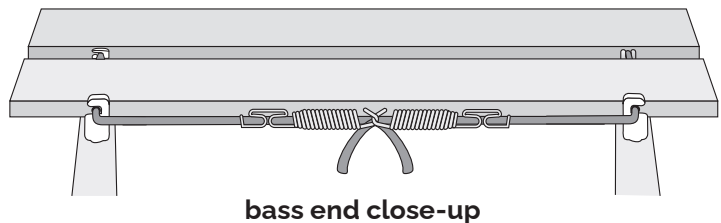
Place bars between rail jacks.
Set cord into slots on rail jacks.

treble end close-up



30 SECURE BARS TO RAILS

At bass end, pull cord evenly taut and then hook springs together and then slip over corner jacks to secure cord.



31 FOLLOW SIMILAR PROCEDURE FOR ACCIDENTAL BARS

NOTE: For accidental bars, bars are *only placed over resonators with a plug*.

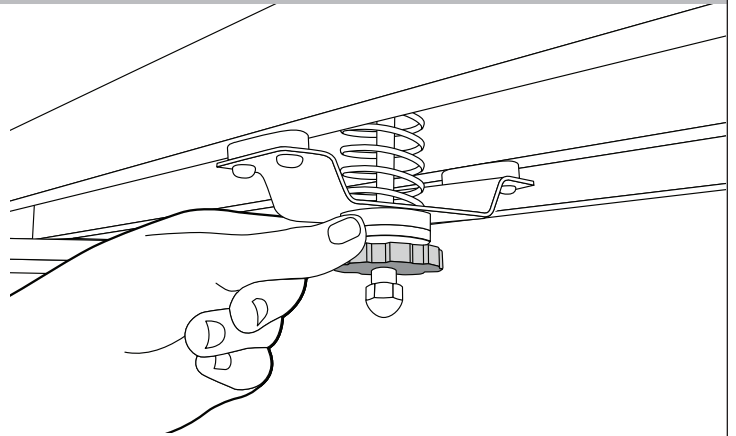
DAMPING PRESSURE TENSION KNOB

30

TENSION KNOB

The tension knob is set at the factory for full damping pressure.

Turn clockwise for less damping pressure and counter-clockwise for more dampening pressure.

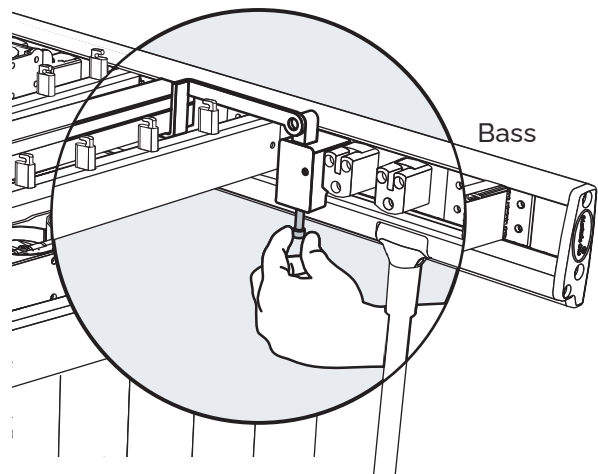


31

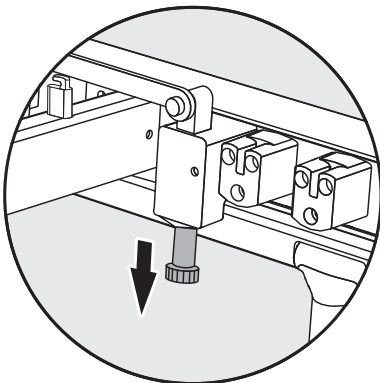
ADJUSTING THE SUSTAIN AT THE BASS OR TREBLE ENDS OF INSTRUMENT

The damper bar is set at the factory for even damping across the keyboard.

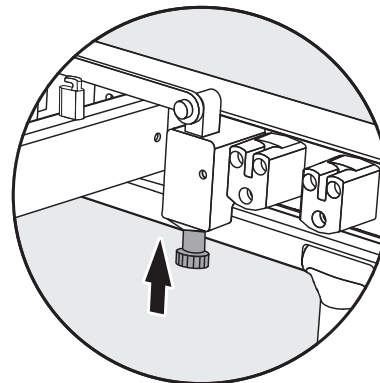
Adjust balance of sustain by turning the adjustment screw located at bass end.



Lower the adjustment knob
for more bass sustain and less
treble sustain.



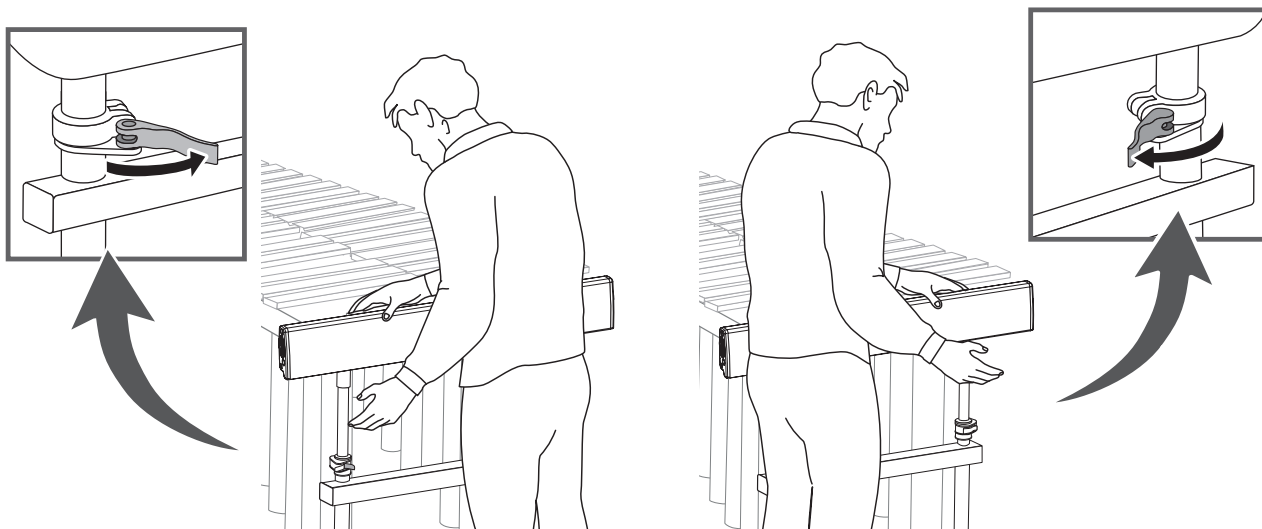
Raise the adjustment knob
for less bass sustain and more
treble sustain.



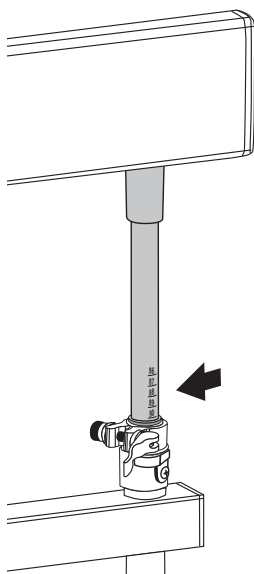
HEIGHT ADJUSTMENT

32

RAISING/LOWERING YOUR VIBRAPHONE

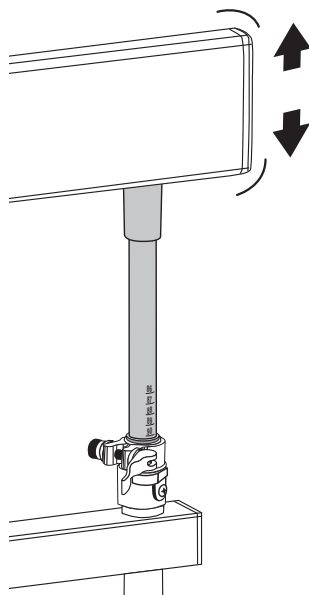


a



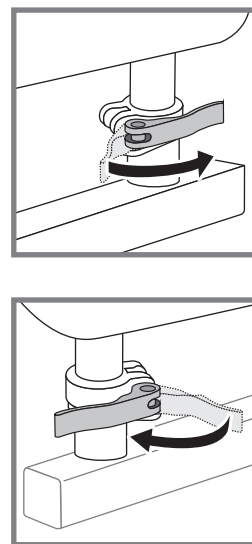
Locate the Izzy Height Adjustment™ clamp on the frame.

b



Gently lift or push down to raise or lower.

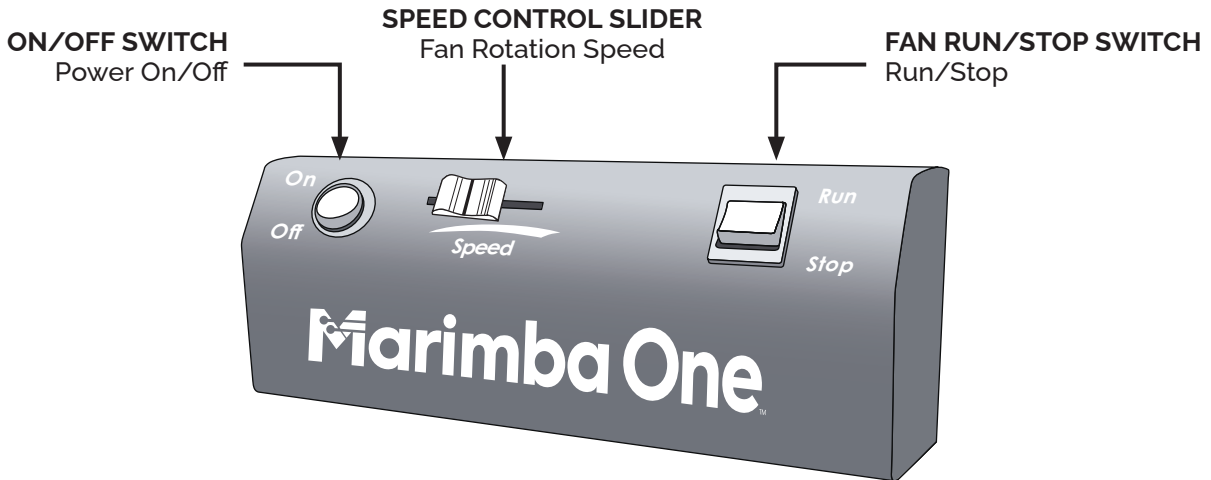
c



Close levers when desired height is achieved.

Always adjust the height of the marimba with rails, resonators and bars installed.

USING THE MOTOR CONTROL BOX



32

TO TURN POWER ON

Push **On/Off Switch** to **ON** position.

ON/OFF SWITCH



33

TO MAKE FANS ROTATE

Turn **Run/Stop Switch** to **RUN** and use the slider to control fan speed. The One Vibe fans always stop in the 12 o'clock/vertical position when you turn the **Run/Stop Switch** to **STOP**.

NOTE: To avoid the fans stopping in random positions, do not turn the **On/Off Switch** to the **OFF** position when playing the OneVibe.

FAN RUN/STOP SWITCH



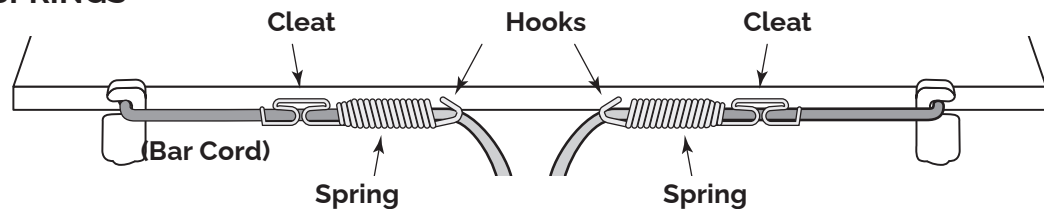
AFTER ASSEMBLY CARE & MAINTENANCE

- ✓ bar cord tension
- ✓ cleaning
- ✓ moving the vibraphone

bar cord tension

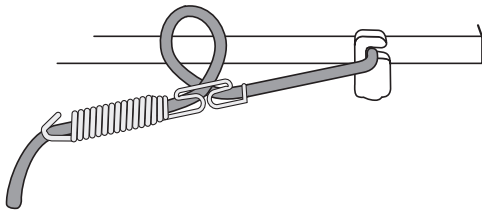
Over time, as you play your instrument, the cord that suspends the bars may loosen and need to be adjusted. To increase tension in the bar cord, use the cleats behind the springs to take up slack in the cord.

1 UNHOOK SPRINGS



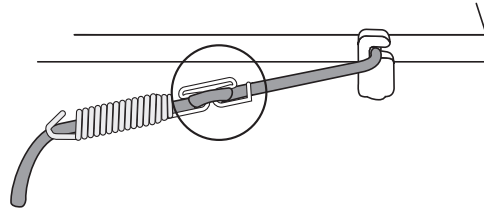
2 FORM LOOP IN CORD

At cleat, pull cord to make enough slack to form a loop.

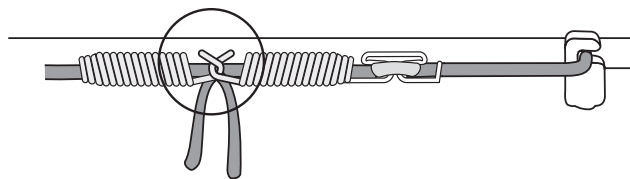


3 SLIP LOOP OVER CLEAT

Slip the loop down around the cleat. Pull the cord taut.



4 RE-HOOK SPRINGS



vibraphone cleaning

USE A SOFT COTTON CLOTH OR TOWEL DAMPENED WITH WATER ONLY.
Do not use commercial cleaners on your vibraphone!

moving the vibraphone

THE VIBRAPHONE SHOULD ONLY BE LIFTED BY THE END FRAMES.

When the vibraphone is moved, pass **SLOWLY** through doorways, over doorjambs, electrical cords, and uneven surfaces.

WARRANTY

**YOU ARE THE OWNER OF ONE OF THE FINEST VIBRAPHONES IN THE WORLD
THE FOLLOWING WARRANTY PROTECTS YOUR INVESTMENT
PLEASE READ IT CAREFULLY**

Marimba One

Manufacturer of the world's finest percussion keyboards and mallets

**MARIMBA ONE WARRANTS ONLY TO THE ORIGINAL PURCHASER
THAT THIS INSTRUMENT IS FREE FROM DEFECTS IN MATERIALS
AND/OR WORKMANSHIP AS FOLLOWS:**

1. During a period of twelve (12) months from the date of receiving your instrument, Marimba One® will pay all labor and materials necessary to repair any defective instrument or part thereof. We will repair a defective instrument or part at the location of our factory. The purchaser must pay all shipping charges to and from our factory in advance.
2. During a period of twelve (12) months from the date of receiving your instrument, Marimba One® will replace at no charge any bar that fails to perform according to acceptable musical standards. Marimba One® will replace any defective bar upon request by the purchaser. The purchaser must return the defective bar to the location of our factory upon receipt of the replacement bar. The purchaser must pay all shipping charges to and from our factory in advance.
3. Natural variation occurring in materials which do not affect the musical performance of the instrument shall not be considered defects, Marimba One® reserves the right to inspect any instrument claimed to be defective to determine if the cause is a manufacturing defect. Excluded from this warranty are all defects other than manufacturing defects. Specifically excluded are defects occurring as a result of use other than normal use, any unauthorized alteration or repair of the instrument, defects occurring in the course of shipping, and other similar defects not related to the manufacture of the instrument.

REPAIR OR REPLACEMENT AS PROVIDED UNDER THIS WARRANTY IS THE EXCLUSIVE REMEDY OF THE PURCHASER, MARIMBA ONE SHALL NOT BE LIABLE FOR ANY INCIDENTAL OR CONSEQUENTIAL DAMAGES FOR BREACH OF ANY EXPRESS OR IMPLIED WARRANTY. EXCEPT TO THE EXTENT PROHIBITED BY APPLICABLE LAW, ANY IMPLIED WARRANTY OF MERCHANTABILITY OR FITNESS FOR A PARTICULAR PURPOSE IS LIMITED IN DURATION AND SCOPE TO THE DURATION AND SCOPE OF THIS WARRANTY. THIS WARRANTY IS NONTRANSFERABLE AND VALID ONLY TO THE ORIGINAL PURCHASER.

Marimba One

Telephone: (707) 822-9570

Email: percussion@marimbaone.com

LOCATION

901 O Street, Arcata, CA 95521 - U.S.A.

MAILING ADDRESS

Post Office Box 786, Arcata, CA 95518 - U.S.A.

INSTRUMENT SERIAL NO.:

