

Marimba One™

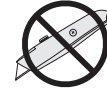
**Motif 4.3 Octave
Concert Marimba
OWNER'S MANUAL**

Marimba One™

ASSEMBLY INSTRUCTIONS & OWNER'S MANUAL

FOR ASSEMBLY, YOU WILL NEED:

A large open space with carpet (or a blanket to cover the floor)



AVOID INJURY — When opening crate, use wire cutters or scissors to cut zip ties.



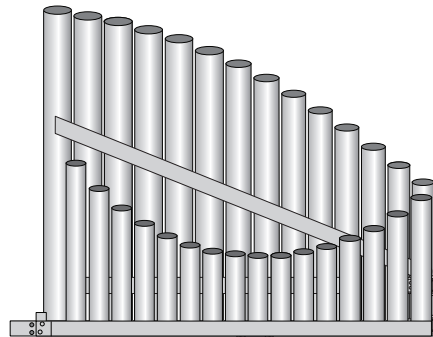
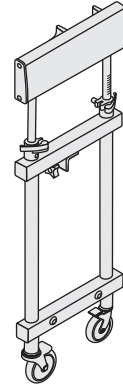
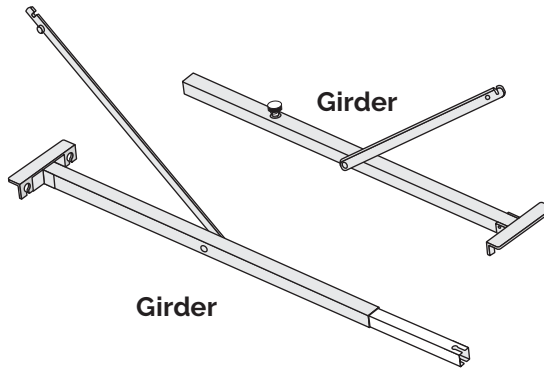
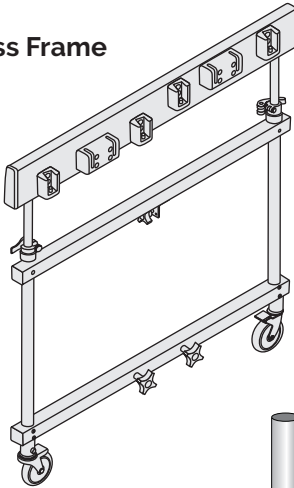
1

CAREFULLY UNPACK YOUR CRATE

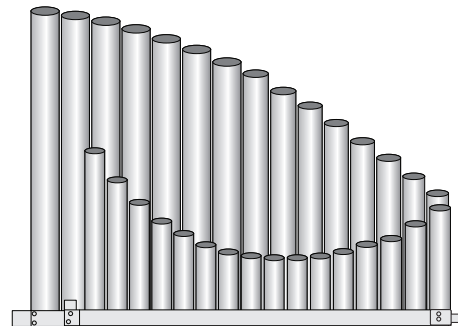
Compare the components as shown on this page.

Treble Frame

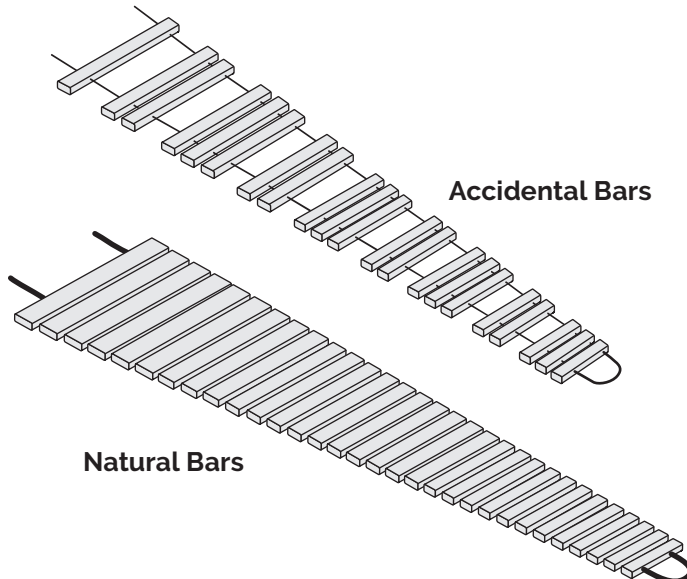
Bass Frame



Natural Resonator Bank



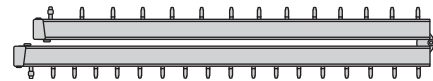
Accidental Resonator Bank



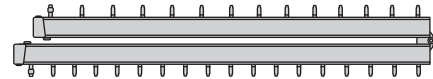
Accidental Bars

Natural Bars

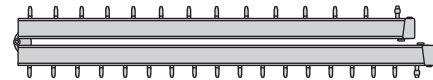
Rail #1



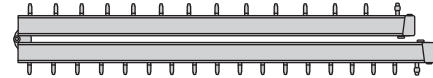
Rail #2



Rail #3



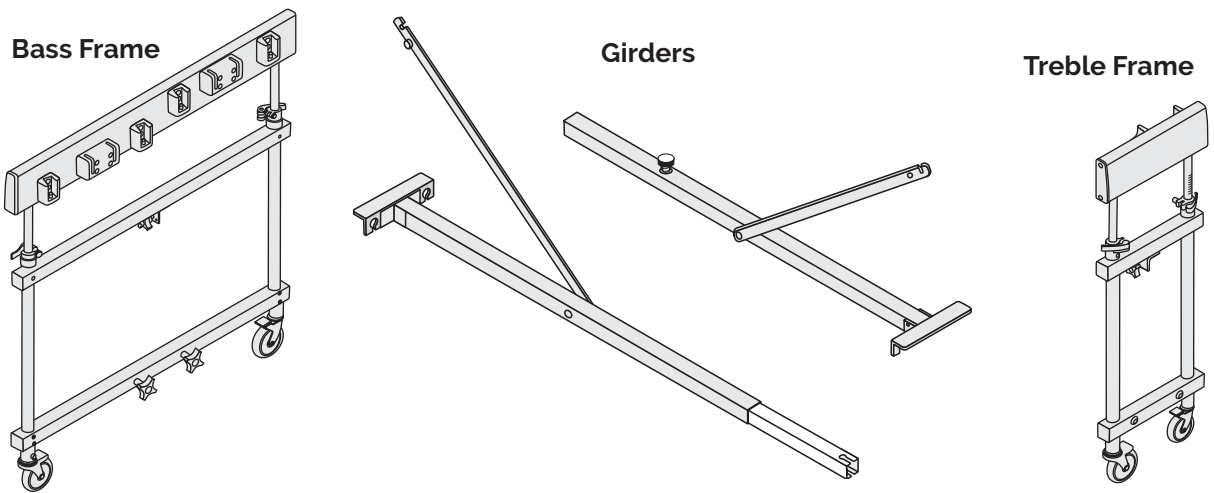
Rail #4



2

ARRANGE FRAME COMPONENTS

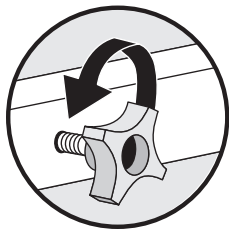
In a large open space with carpeting (or a blanket), arrange the frame components.



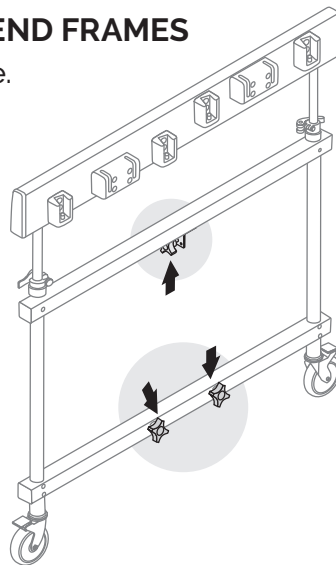
3

LOOSEN KNOBS ON THE END FRAMES

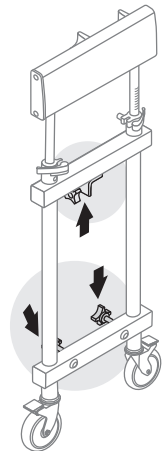
Turn knobs counterclockwise.



Bass Frame



Treble Frame

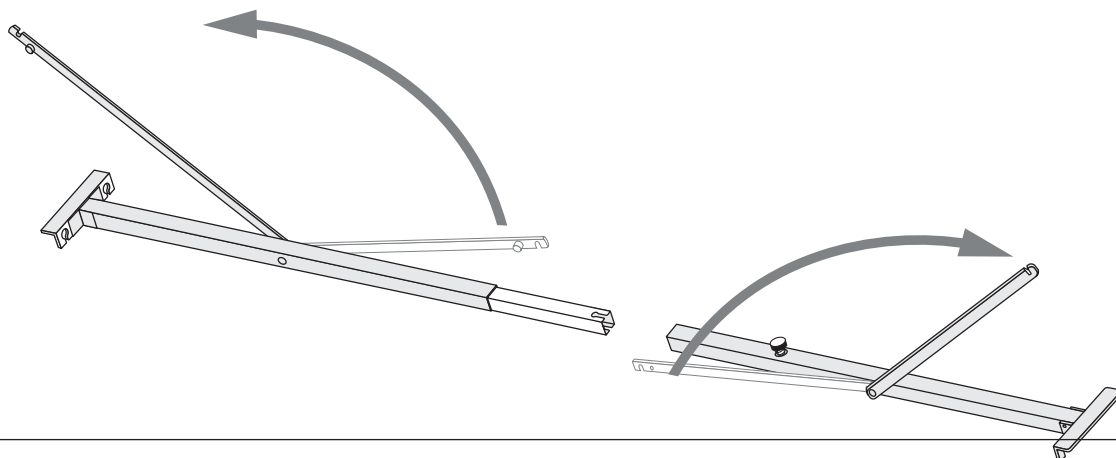


CENTER SUPPORT

4

UNFOLD ARMS

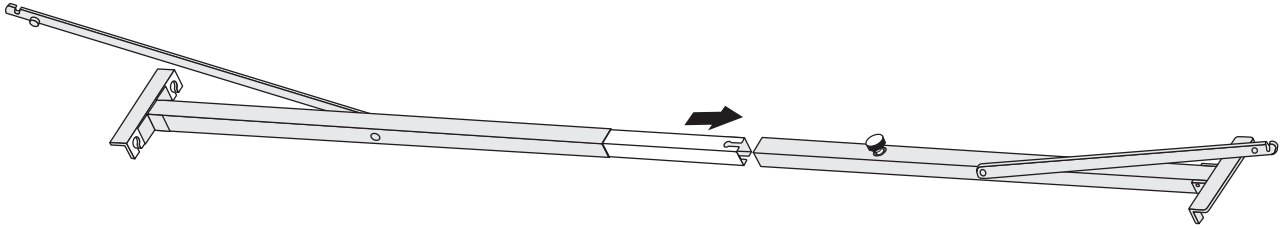
Unfold arms by swinging them over to the opposite side.



5

CONNECT GIRDERS

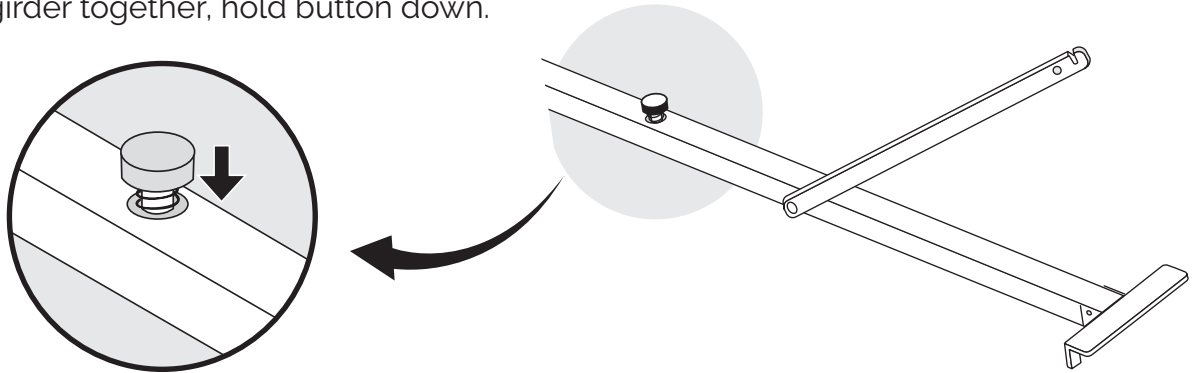
On a flat surface, align girders as shown. Slide slotted end over metallic end until **fully engaged**. When you hear or feel the girder tubes touch, the girders are fully engaged.



6

SECURE GIRDER CONNECTION

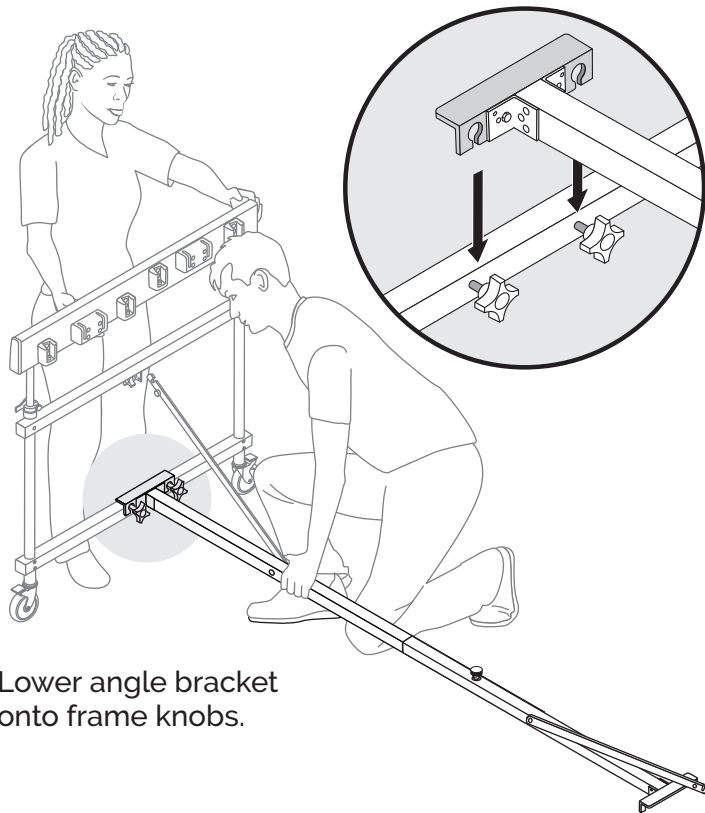
Push girder together, hold button down.



7

ATTACH ANGLE BRACKET

Have assistant hold bass frame upright.

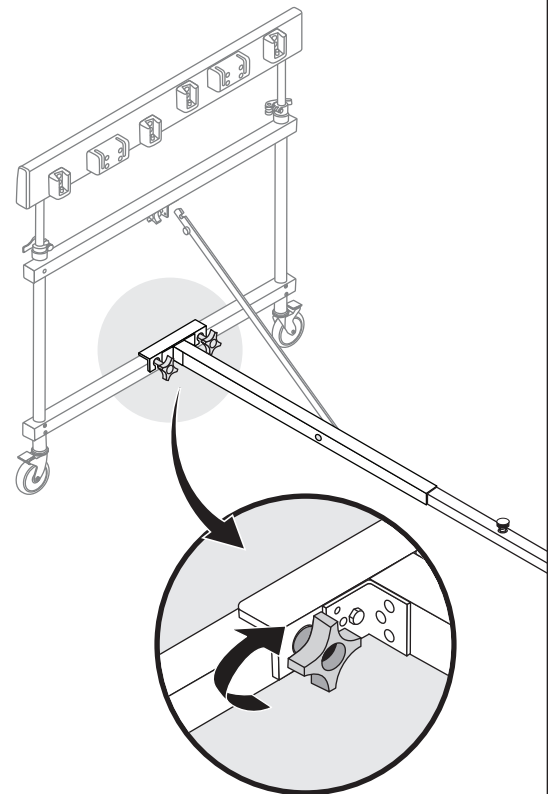


Lower angle bracket onto frame knobs.

8

SECURE ANGLE BRACKET

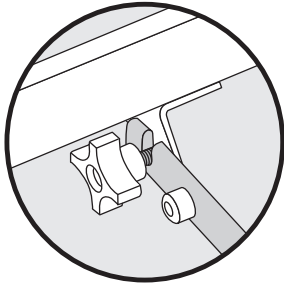
Tighten frame knobs firmly, turn clockwise.



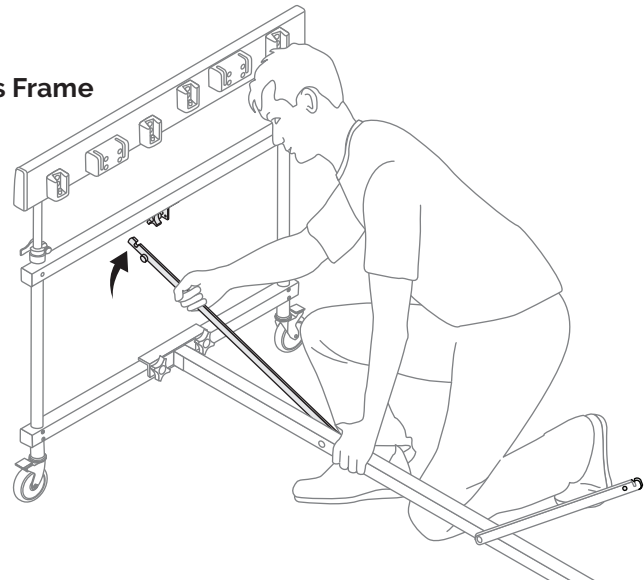
9

ATTACH ARM

Raise slotted arm up to knob.



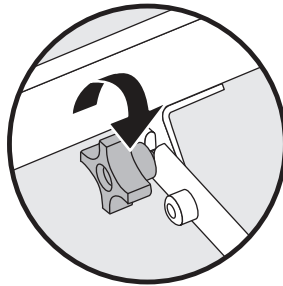
Bass Frame



10

SECURE ARM

Tighten frame knob firmly, turn clockwise.



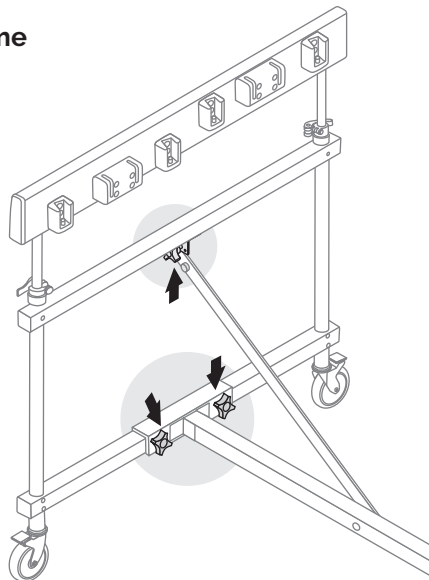
11

REPEAT PROCESS FOR TREBLE FRAME

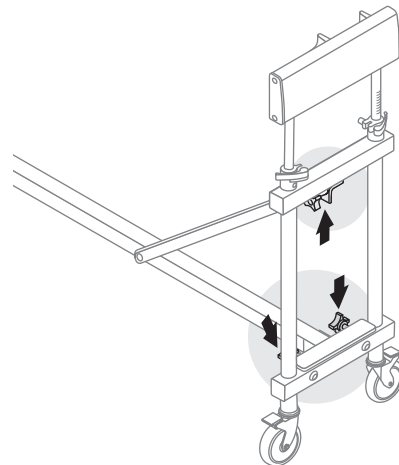
12

VERIFY KNOBS ARE SECURELY TIGHTENED

Bass Frame



Treble Frame

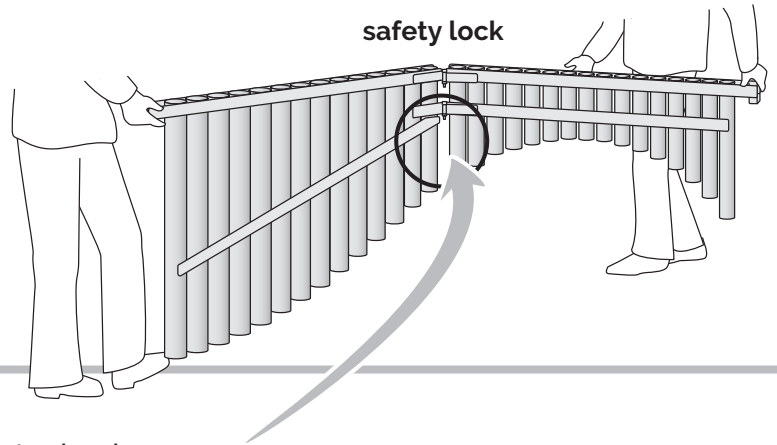


13 IDENTIFY NATURAL RESONATOR BANK

The natural resonator bank has a plug inside every tube.
The accidental resonators are missing a plug inside every 3rd or 4th tube.

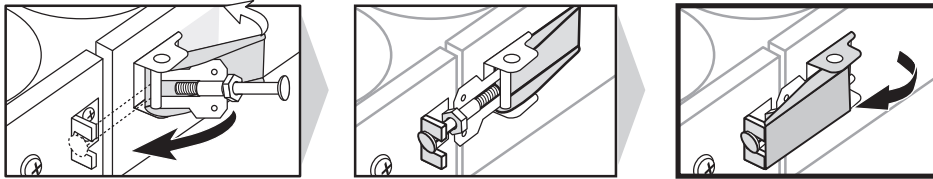
14 UNFOLD NATURAL RESONATOR

With your assistant, unfold the natural resonator bank.



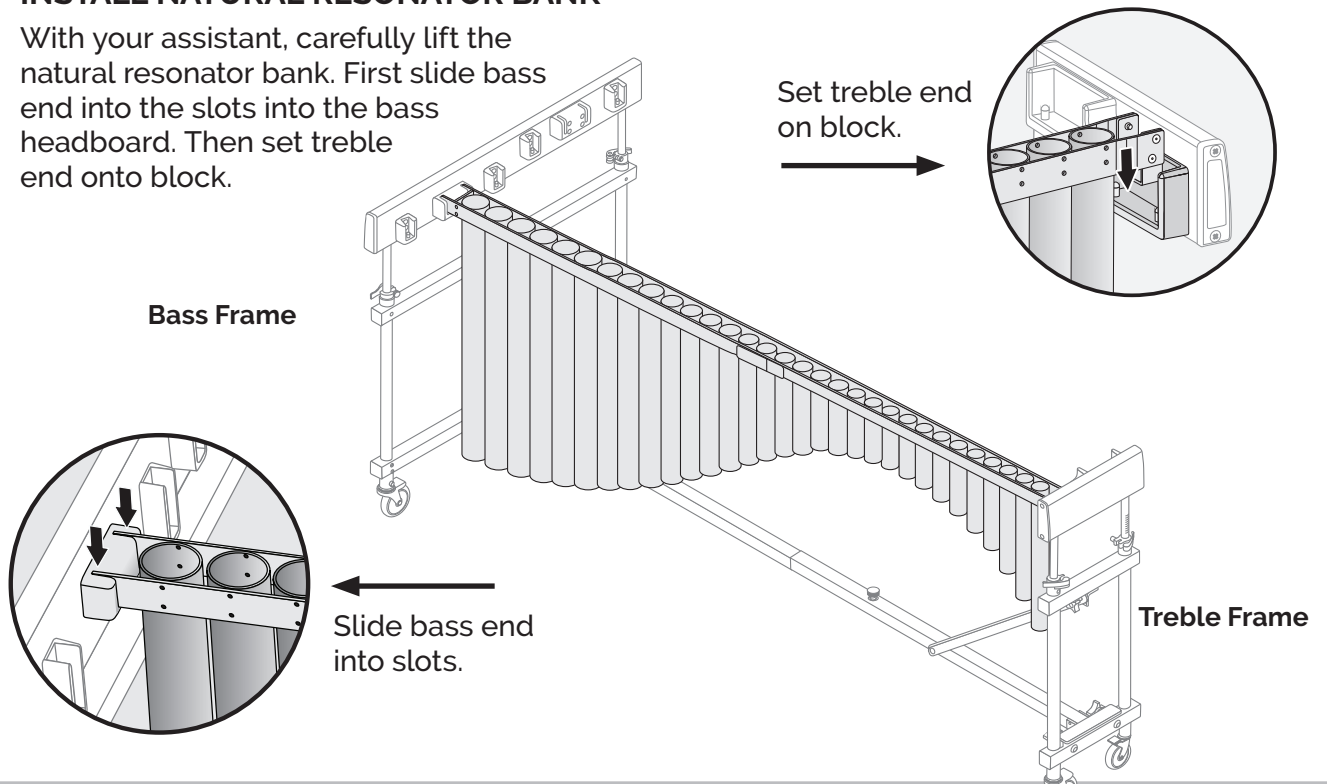
15 CLOSE SAFETY LOCK

Lock is located at hinge point on resonator bank.



16 INSTALL NATURAL RESONATOR BANK

With your assistant, carefully lift the natural resonator bank. First slide bass end into the slots into the bass headboard. Then set treble end onto block.



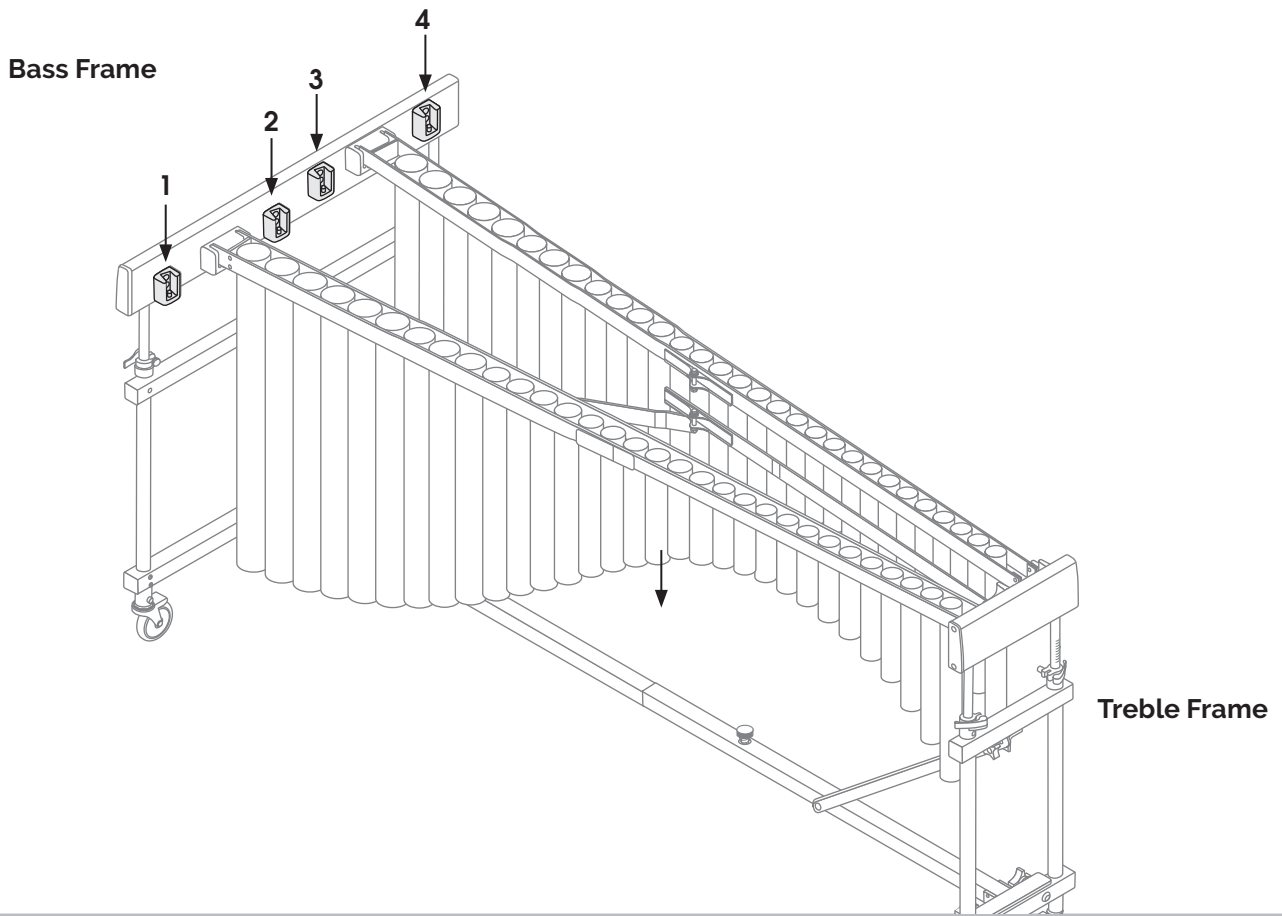
17 INSTALL ACCIDENTAL RESONATOR BANK

Repeat steps for the second resonator bank.

RAILS

18

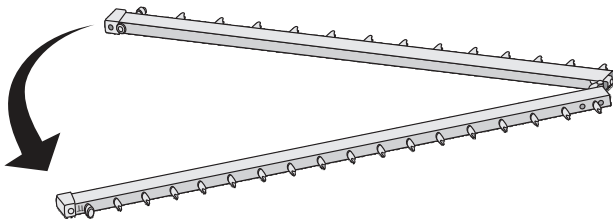
IDENTIFY RAIL SLOTS 1 - 4



19

UNFOLD RAILS

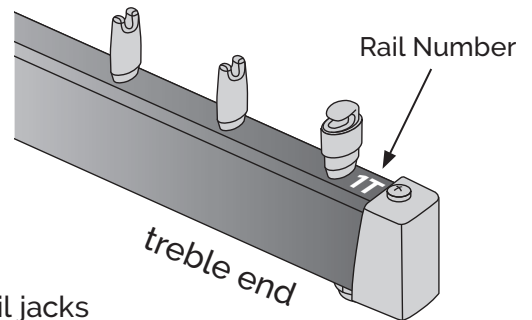
With your assistant, unfold the rail while supporting each end.



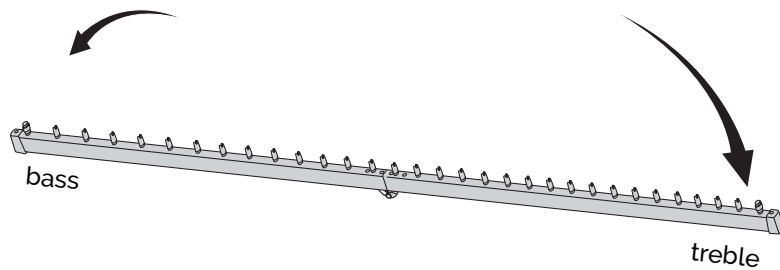
20

IDENTIFY RAILS 1 - 4

Numbers are engraved on the top of Bass and Treble ends.



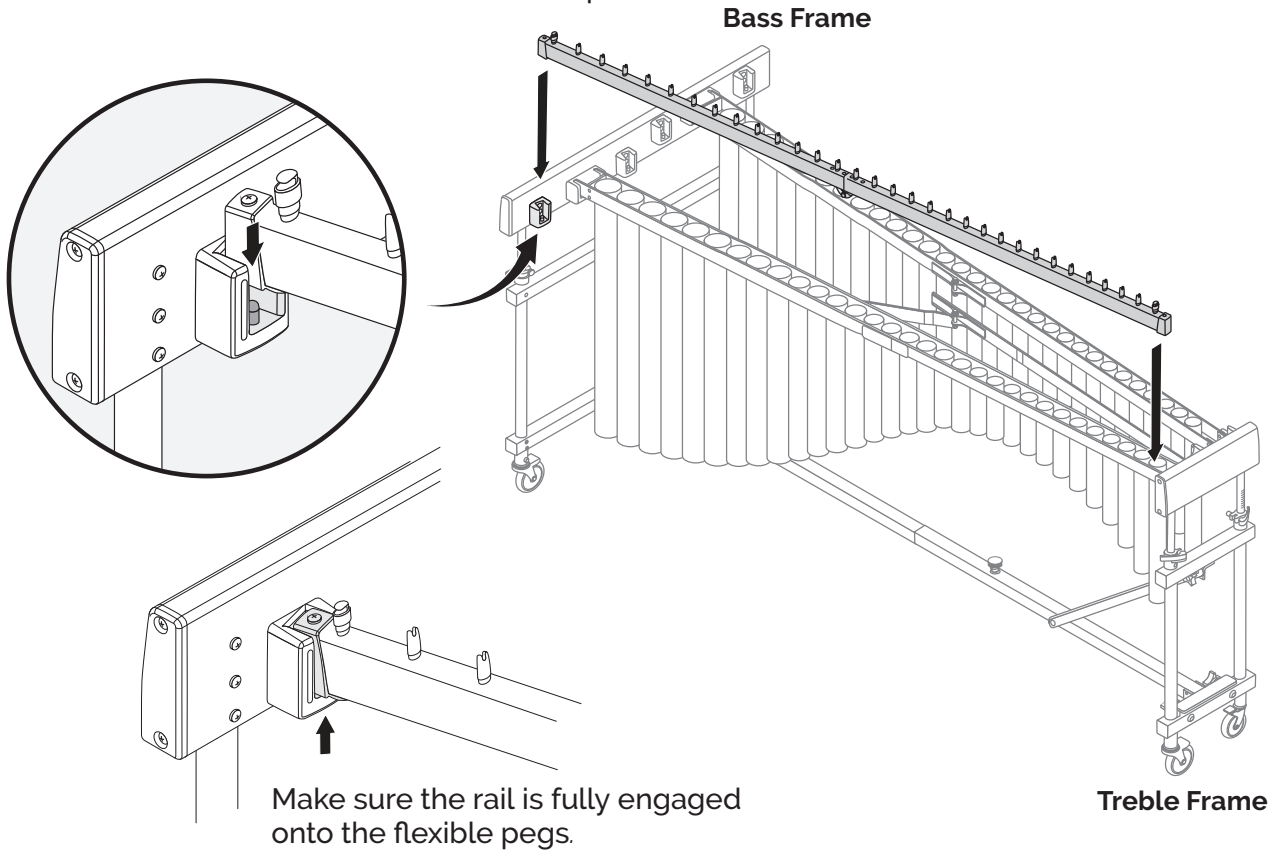
NOTE: Gaps between the rail jacks are wider on the bass end of rail.



21

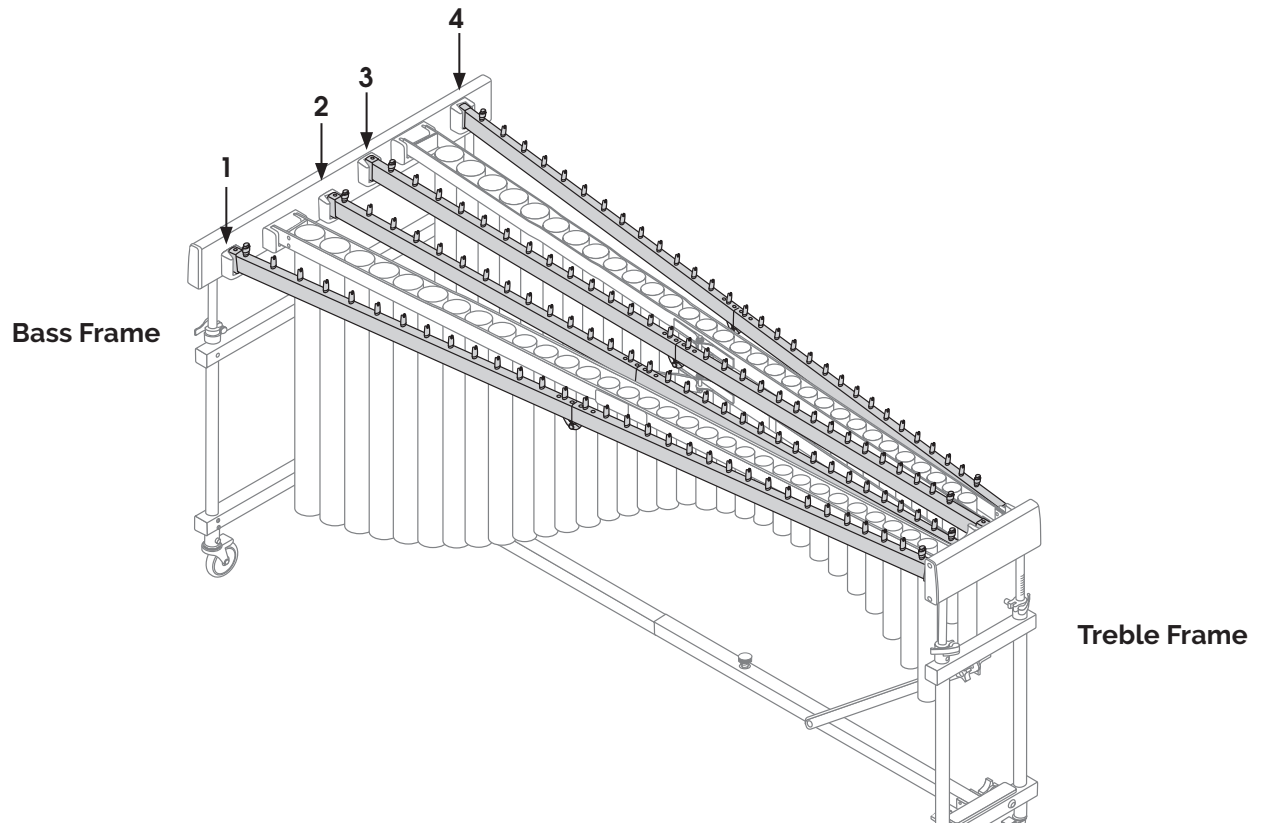
INSTALL RAIL 1

Lower Rail 1 into slots and onto flexible rail pins.



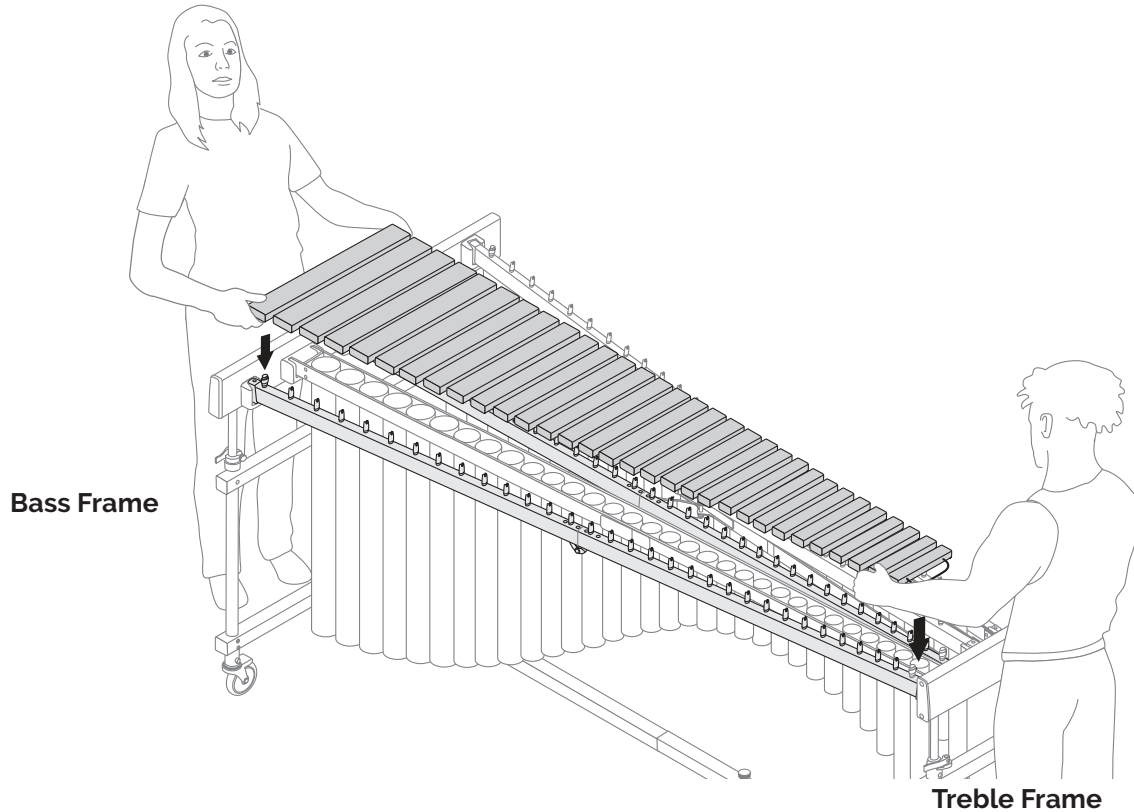
22

REPEAT FOR RAILS 2 - 4

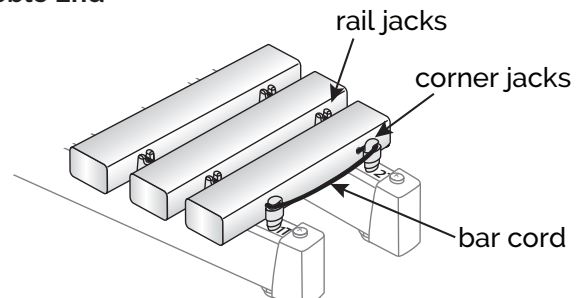


23**INSTALL NATURAL BARS**

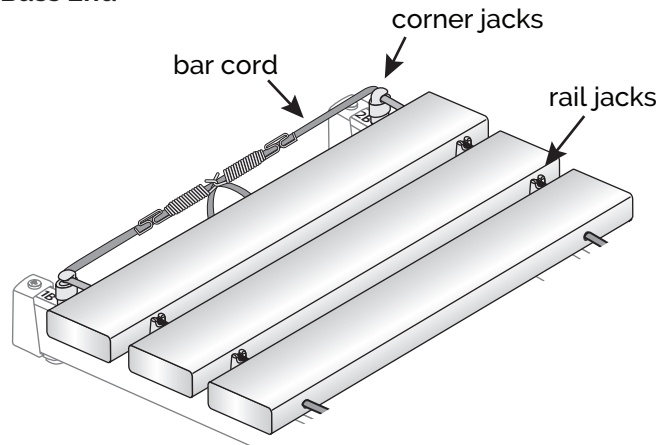
Carefully unroll Natural bar bundle. Place natural bars over rails #1 and #2.

**24****POSITION BARS ON RAILS**

Cord should rest on Rail Jacks. Wrap the bar cord around Corner Jacks at the treble end.

Treble End**25****PLACE BARS ON RAILS**

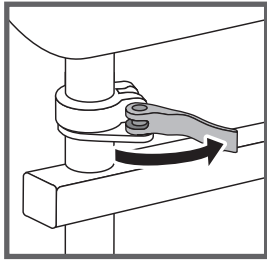
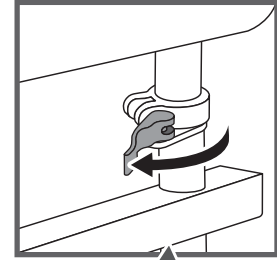
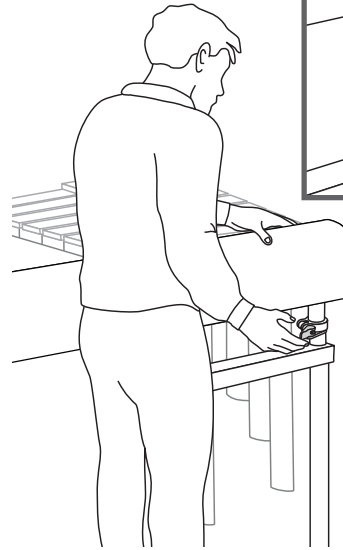
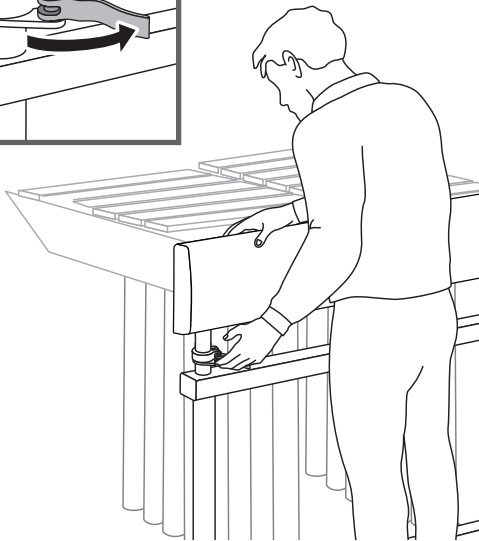
Once all bars are in place, from the bass end, pull the cord taut (pulling evenly on each end of the cord at the same time), hook the springs to the loop and then place the cord over the corner jacks.

Bass End

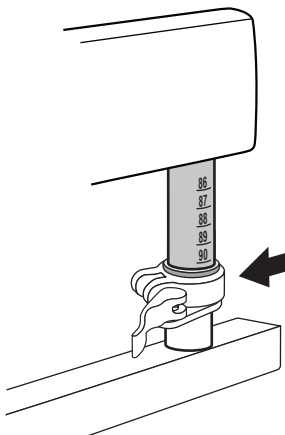
HEIGHT ADJUSTMENT:

Raising/Lowering your marimba

! Always adjust the height of the instrument with rails, resonators, and bars installed.

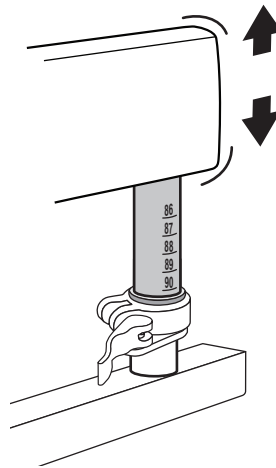
**RELEASE LEVERS**

a



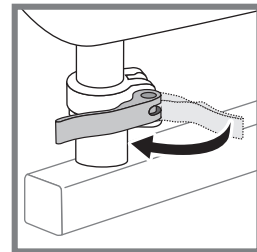
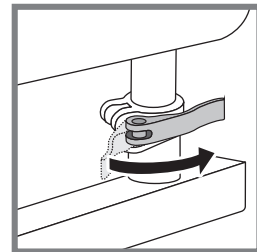
Locate the Izzy Height Adjustment™ clamp on the frame.

b



Gently lift or push down to raise or lower. Use gauges to ensure that both ends are always at the same height.

c



Close levers when desired height is achieved.

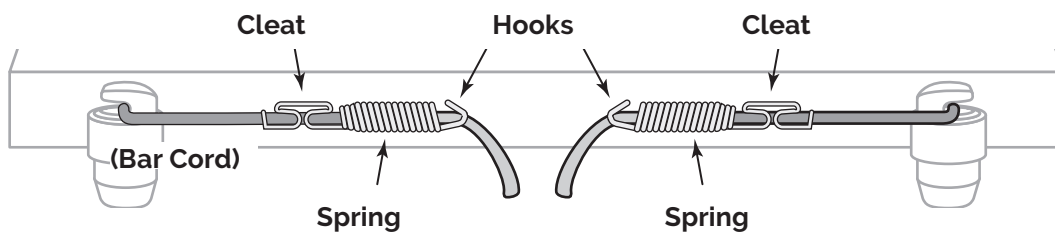
AFTER ASSEMBLY CARE & MAINTENANCE

- ✓ bar cord tension
- ✓ marimba cleaning
- ✓ moving the marimba

bar cord tension

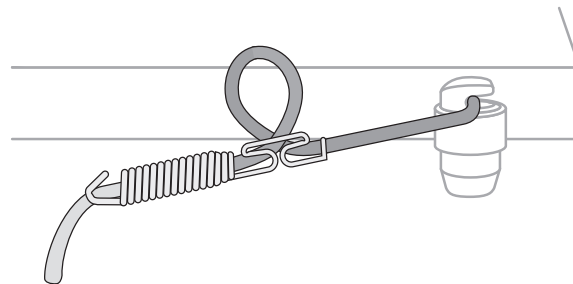
Over time, as you play your instrument, the cord that suspends the bars may loosen and need to be adjusted. To increase tension in the bar cord, use the cleats behind the spring to hold the slack in the cord.

1 UNHOOK SPRINGS



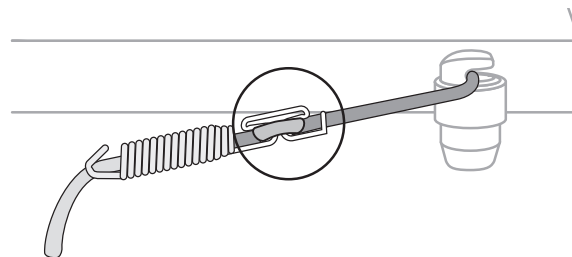
2 FORM LOOP IN CORD

At cleat, pull cord to make enough slack to form a loop.

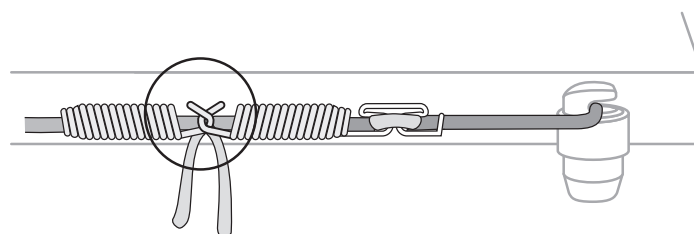


3 SLIP LOOP OVER CLEAT

Slip the loop down around the cleat. Pull the cord taut.



4 RE-HOOK SPRINGS



marimba cleaning

USE A SOFT COTTON CLOTH OR TOWEL DAMPENED WITH WATER ONLY.

Do not use furniture polish on your marimba! Most products of this type contain silicone, which will damage the finish and contaminate the wood.

moving the marimba

THE MARIMBA SHOULD ONLY BE LIFTED BY THE END FRAMES.

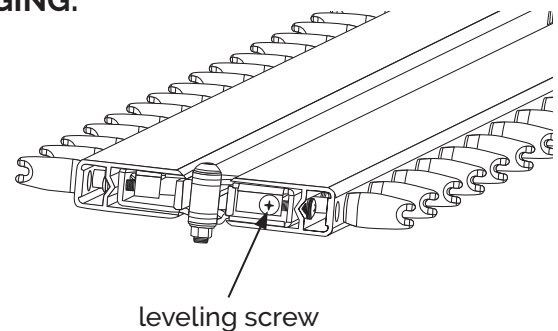
- Lifting by the rails will cause the rails to come out of their slots.
- When the marimba is moved, pass **SLOWLY** through doorways, over doorjamb, electrical cords, and uneven surfaces.

sagging bars

With time, the natural or accidental bars may sag over the length of the marimba.

CAREFULLY REMOVE THE BARS THAT ARE SAGGING.

- Lift out the rail that is no longer level and fold the rail to expose the stainless steel leveling screw.
- Use a Phillips head screwdriver.
- Turn the screw about an eighth of a turn counter clockwise from its present location.
- Replace the rail and check it again. Reposition the bars as before.





Marimba One™

BAR CHART

Do you need a bar replaced? Please contact us to schedule the replacement and refer to the bars as shown on this bar chart and include your serial number in your correspondence.

Keep your old bars until you receive new ones from us. That way, you're never without a bar on your marimba.

Remember: your bars are under warranty for the first year and we'll replace them at no cost (shipping not included). Beyond the first year, contact us for bar replacement pricing.

Shipping Address

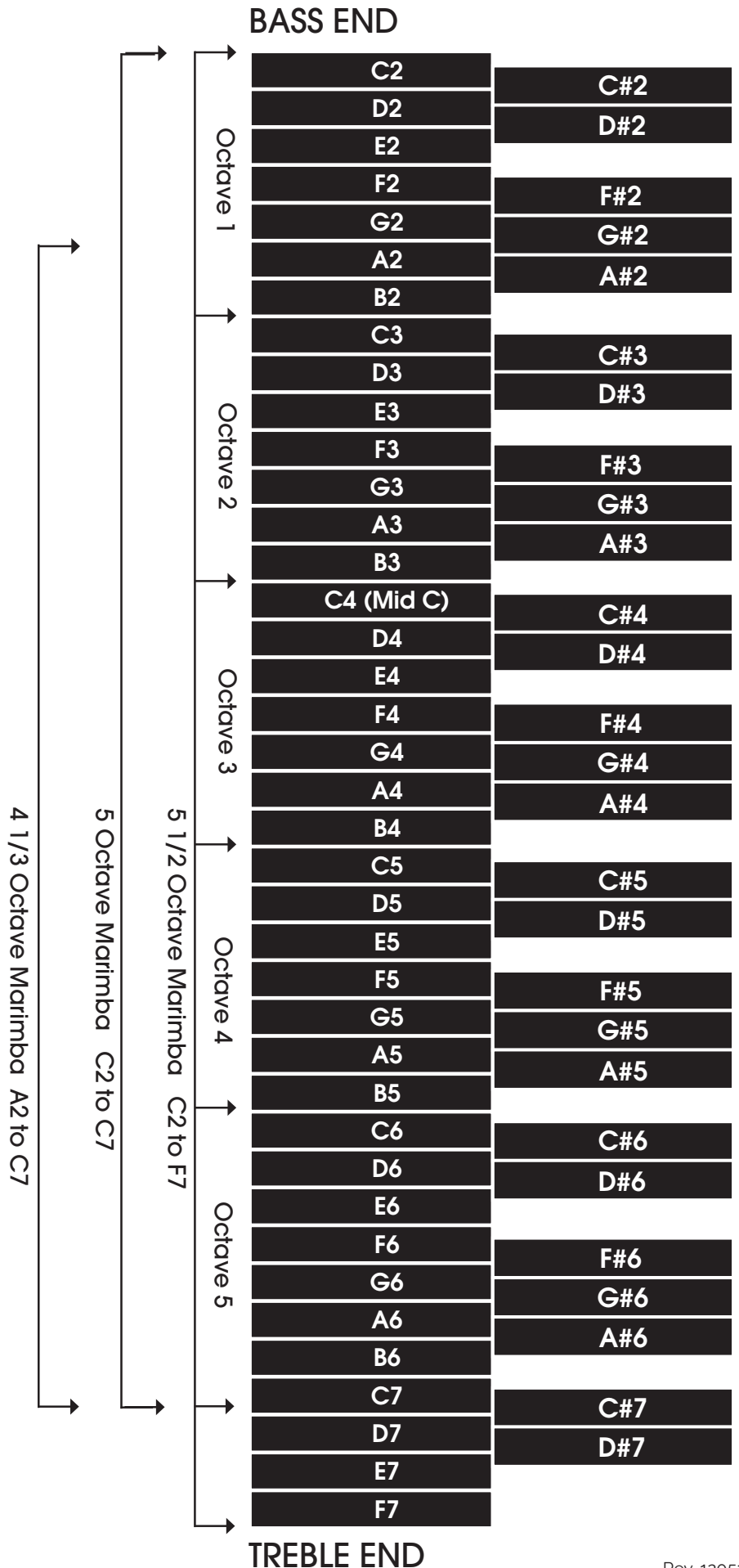
Marimba One
901 O St
Suite D
Arcata CA 95521
USA

Email

percussion@marimbaone.com

Telephone

707.822.9570



WARRANTY

**YOU ARE THE OWNER OF ONE OF THE FINEST MARIMBAS IN THE WORLD
THE FOLLOWING WARRANTY PROTECTS YOUR INVESTMENT
PLEASE READ IT CAREFULLY**

Marimba One

Manufacturer of the world's finest percussion keyboards and mallets

**MARIMBA ONE WARRANTS ONLY TO THE ORIGINAL PURCHASER
THAT THIS INSTRUMENT IS FREE FROM DEFECTS IN MATERIALS
AND/OR WORKMANSHIP AS FOLLOWS:**

1. During a period of twelve (12) months from the date of receiving your instrument, Marimba One will pay all labor and materials necessary to repair any defective instrument or part thereof. We will repair a defective instrument or part at the location of our factory. The purchaser must pay all shipping charges to and from our factory in advance.
2. During a period of twelve (12) months from the date of receiving your instrument, Marimba One will replace at no charge any bar that fails to perform according to acceptable musical standards. Marimba One will replace any defective bar upon request by the purchaser. The purchaser must return the defective bar to the location of our factory upon receipt of the replacement bar. The purchaser must pay all shipping charges to and from our factory in advance.
3. During a period of twenty-four (24) months from the date of receiving your instrument, Marimba One will provide one free retuning of the entire keyboard of your instrument. Retuning will be at the location of our factory. The purchaser must pay all shipping charges to and from our factory in advance.
4. Natural variation occurring in colors, grains, or textures of wood and other materials which do not affect the musical performance of the instrument shall not be considered defects, Marimba One reserves the right to inspect any instrument claimed to be defective to determine if the cause is a manufacturing defect. Excluded from this warranty are all defects other than manufacturing defects. Specifically excluded are defects occurring as a result of use other than normal use, including any unauthorized alteration or repair of the instrument, defects occurring in the course of shipping, and other similar defects not related to the manufacture of the instrument.

REPAIR OR REPLACEMENT AS PROVIDED UNDER THIS WARRANTY IS THE EXCLUSIVE REMEDY OF THE PURCHASER, MARIMBA ONE SHALL NOT BE LIABLE FOR ANY INCIDENTAL OR CONSEQUENTIAL DAMAGES FOR BREACH OF ANY EXPRESS OR IMPLIED WARRANTY. EXCEPT TO THE EXTENT PROHIBITED BY APPLICABLE LAW, ANY IMPLIED WARRANTY OF MERCHANTABILITY OR FITNESS FOR A PARTICULAR PURPOSE IS LIMITED IN DURATION AND SCOPE TO THE DURATION AND SCOPE OF THIS WARRANTY. THIS WARRANTY IS NONTRANSFERABLE AND VALID ONLY TO THE ORIGINAL PURCHASER.

Marimba One

Telephone: (707) 822-9570
Email: percussion@marimbaone.com

LOCATION

901 O Street, Arcata, CA 95521 - U.S.A.

MAILING ADDRESS

Post Office Box 786, Arcata, CA 95518 - U.S.A.

INSTRUMENT SERIAL NO.:

