

Marimba One™

Marimba One 3100

OWNER'S MANUAL

**for Wood Rails and
Combination Wood & Aluminum Rails**

Marimba One™

ASSEMBLY INSTRUCTIONS & OWNER'S MANUAL

FOR ASSEMBLY, YOU WILL NEED:

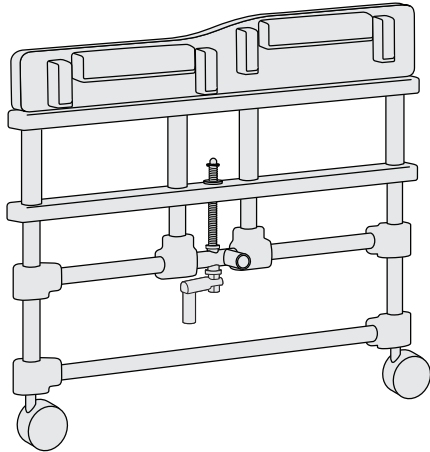
- A large open space with carpet (or a blanket to cover the floor)
- An assistant to help you with assembly

1

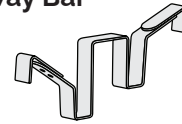
CAREFULLY UNPACK YOUR CRATE

Compare the components to this page.

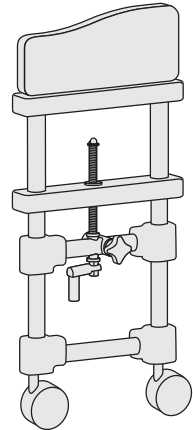
Bass End



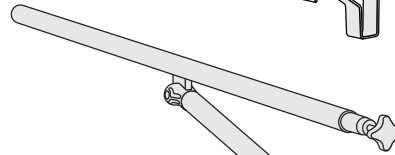
Sway Bar



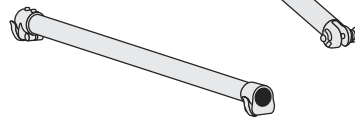
Treble End



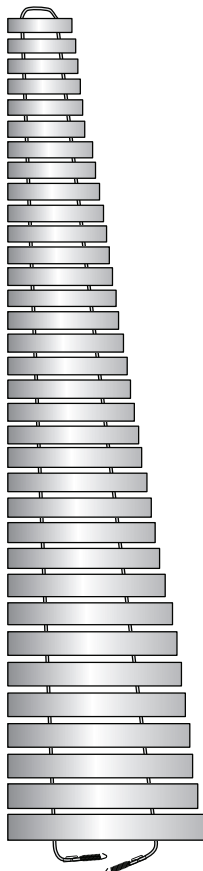
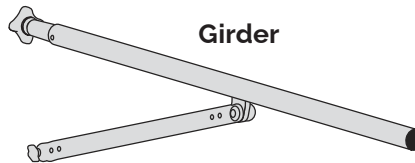
Girder



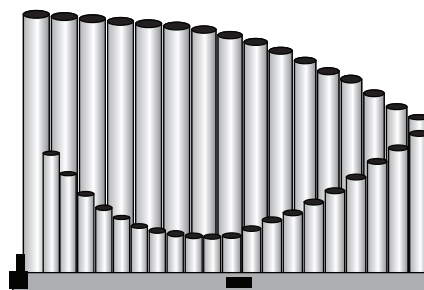
Tube-Joiner



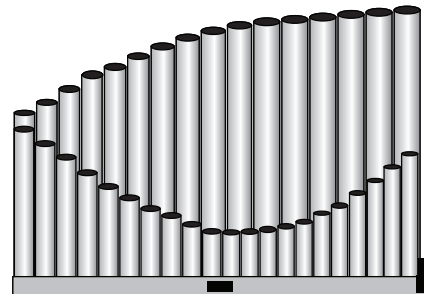
Girder



Natural Bars

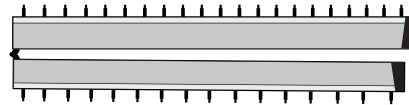


Natural Resonator Bank

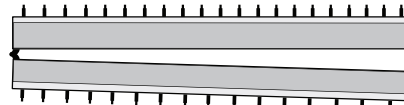


Accidental Resonator Bank

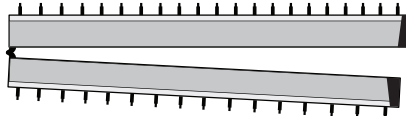
Rail #1



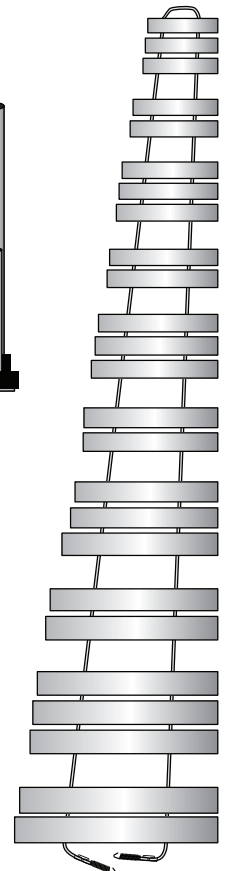
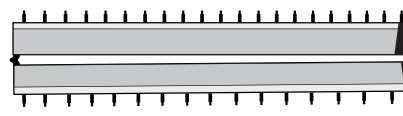
Rail #3



Rail #2



Rail #4

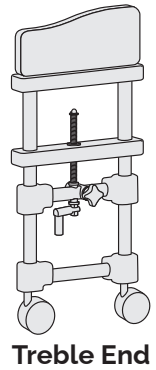
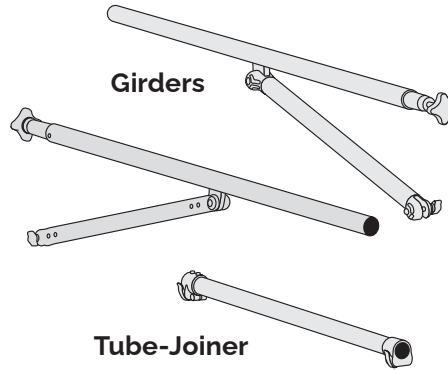
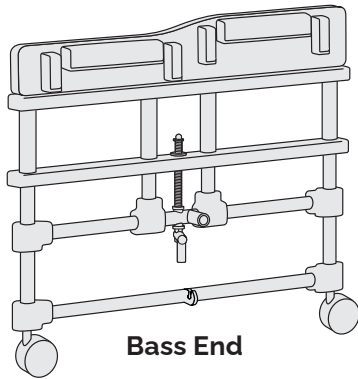


Accidental Bars

2

ARRANGE FRAME COMPONENTS

In a large open space with carpeting (or a blanket), arrange the frame components.

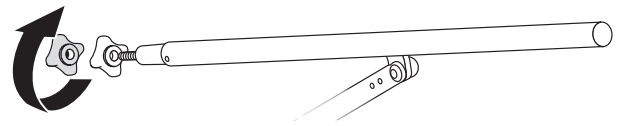


3

SEAT GIRDER ENDS ONTO HOOKS

Have your assistant hold the bass end-frame upright while you hold the girder.

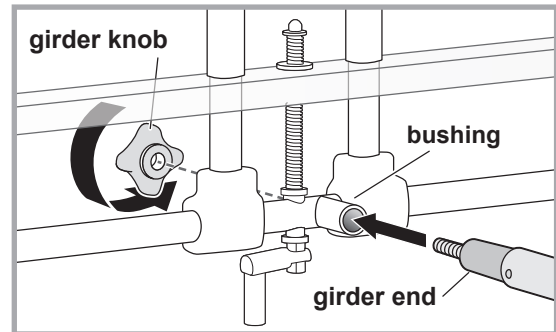
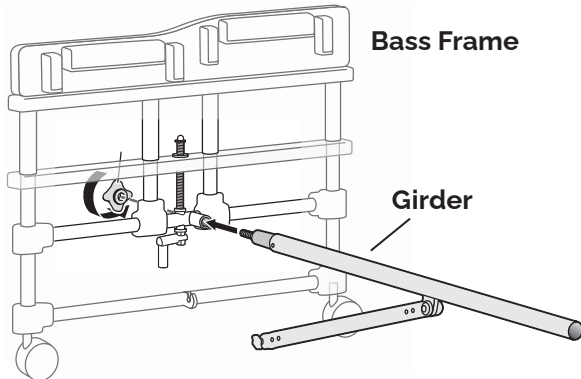
Fully loosen the girder knobs.



4

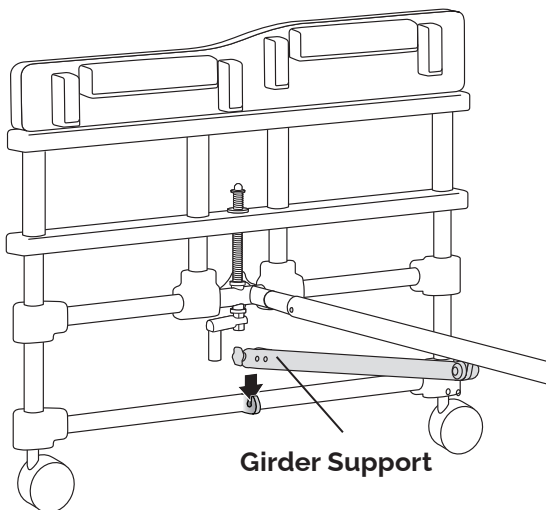
ATTACH GIRDER END

Have assistant hold bass frame upright.

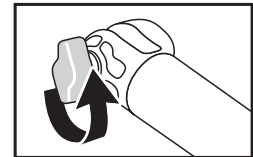


5

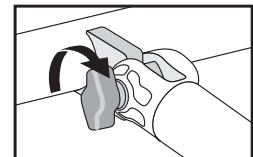
CONNECT GIRDER SUPPORT



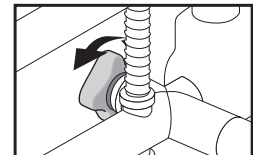
Loosen support knob.
Lower support end onto frame hook. *Pressure may be required to fully seat hook.*



Tighten support knob.



With support knob secure, tighten girder knob.



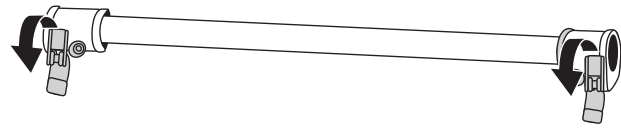
6

REPEAT STEPS FOR TREBLE END OF FRAME

7

LOOSEN TUBE JOINER LEVERS

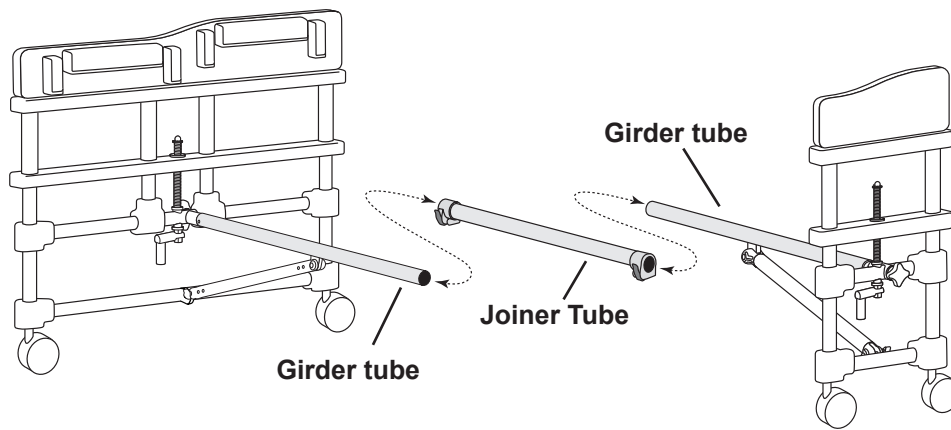
Flip levers to the open position.



8

CONNECT GIRDERS

Slide the tube joiner over the girder tubes until the tube joiner can go no further.

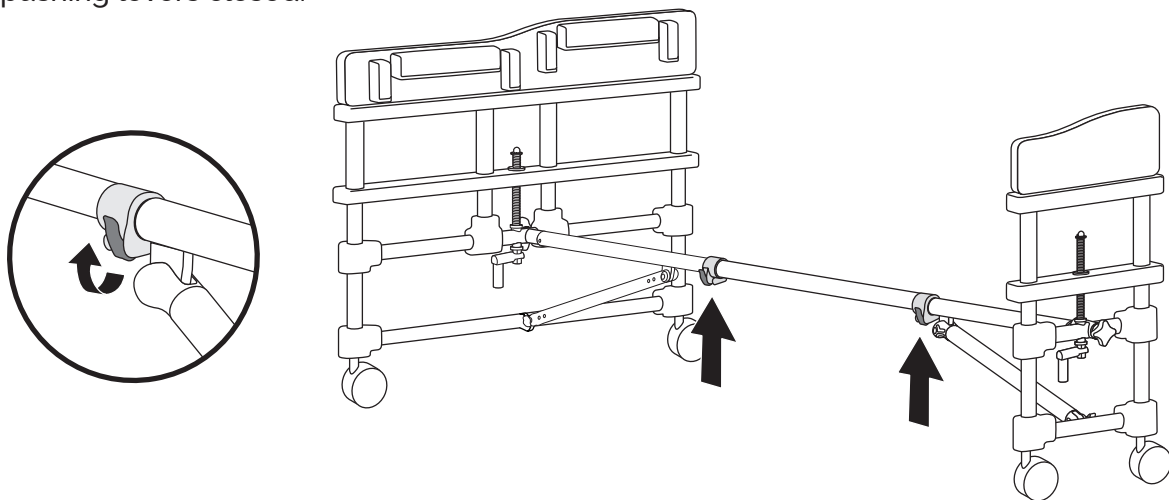


You should be able to hear (or feel) when the two girder tubes touch inside the tube joiner.

9

SECURE GIRDERS

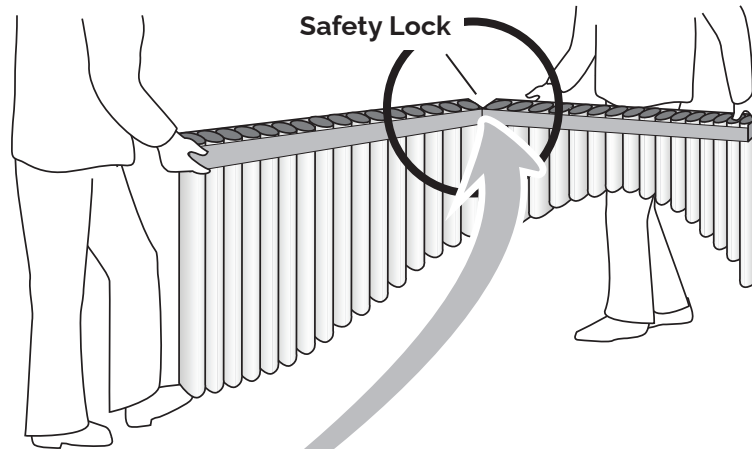
Secure the tube joiner by pushing levers closed.



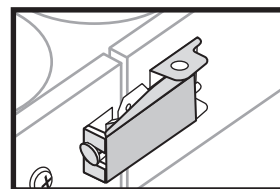
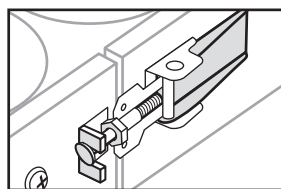
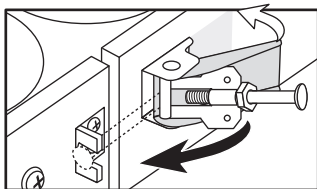
10**IDENTIFY NATURAL RESONATOR BANK**

The **natural resonator bank** has a plug inside every tube.

The **accidental resonators** are missing a plug inside every 3rd or 4th tube.

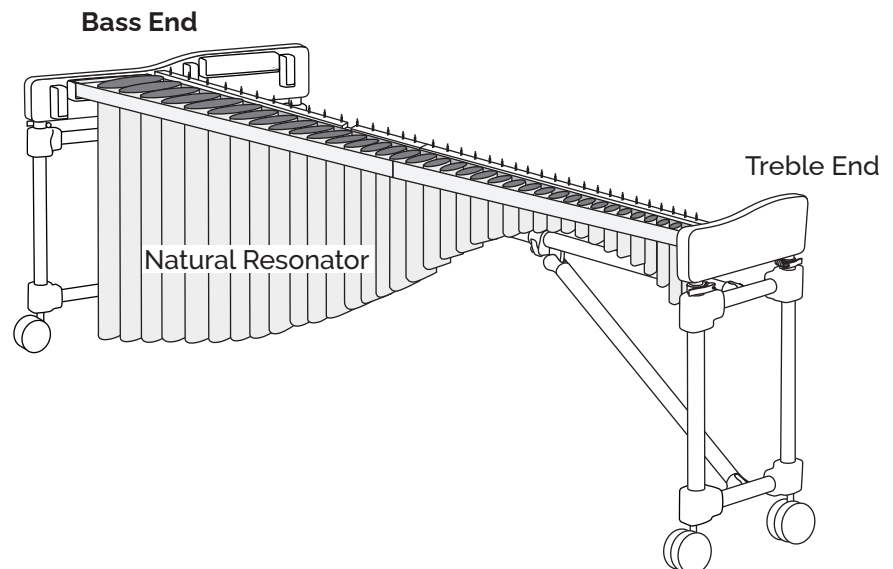
11**UNFOLD RESONATOR****12****CLOSE SAFETY LOCK**

Lock is located at hinge point on resonator bank.

**13****INSTALL NATURAL RESONATOR BANK**

With your assistant, carefully lift the natural resonator bank upright.

With each person holding the ends of the resonator bank, lower the bank into the frame.



14

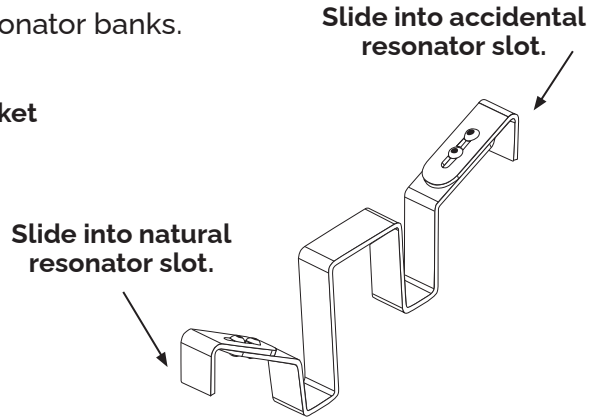
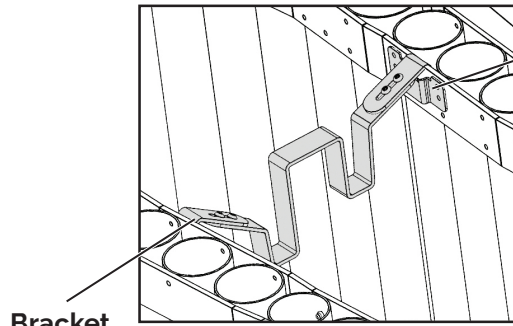
INSTALL ACCIDENTAL RESONATOR BANK

Repeat steps for the second resonator bank:
Lower the bank onto the frame.

15

INSTALL SWAY BLOCK

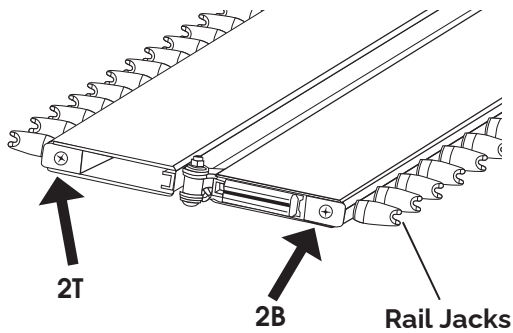
Slide ends of sway block into brackets on resonator banks.



16

IDENTIFY YOUR RAILS

The rails are numbered on the hinge end. When the rails are folded, the number appears in the end-grain of the wood (See example of Rail #2 below).

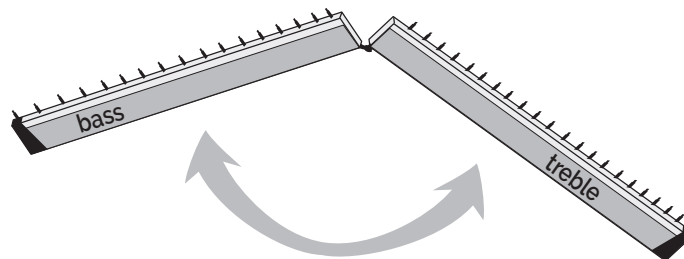


17

UNFOLD RAIL

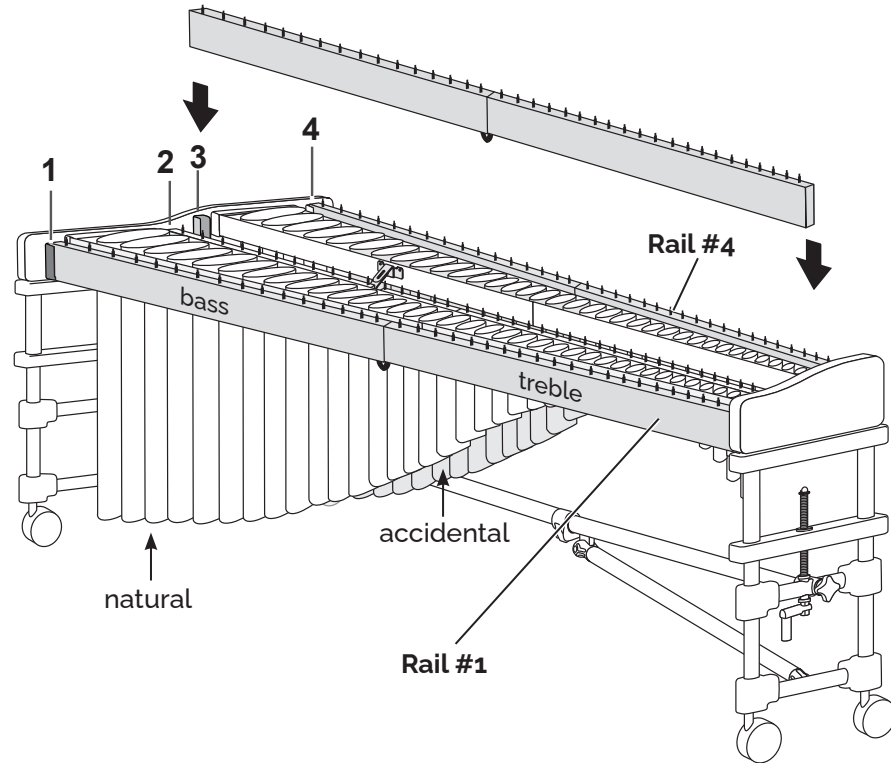
Unfold the rail while supporting each end.

NOTE: Gaps between the rail jacks are larger on the bass end of rail.

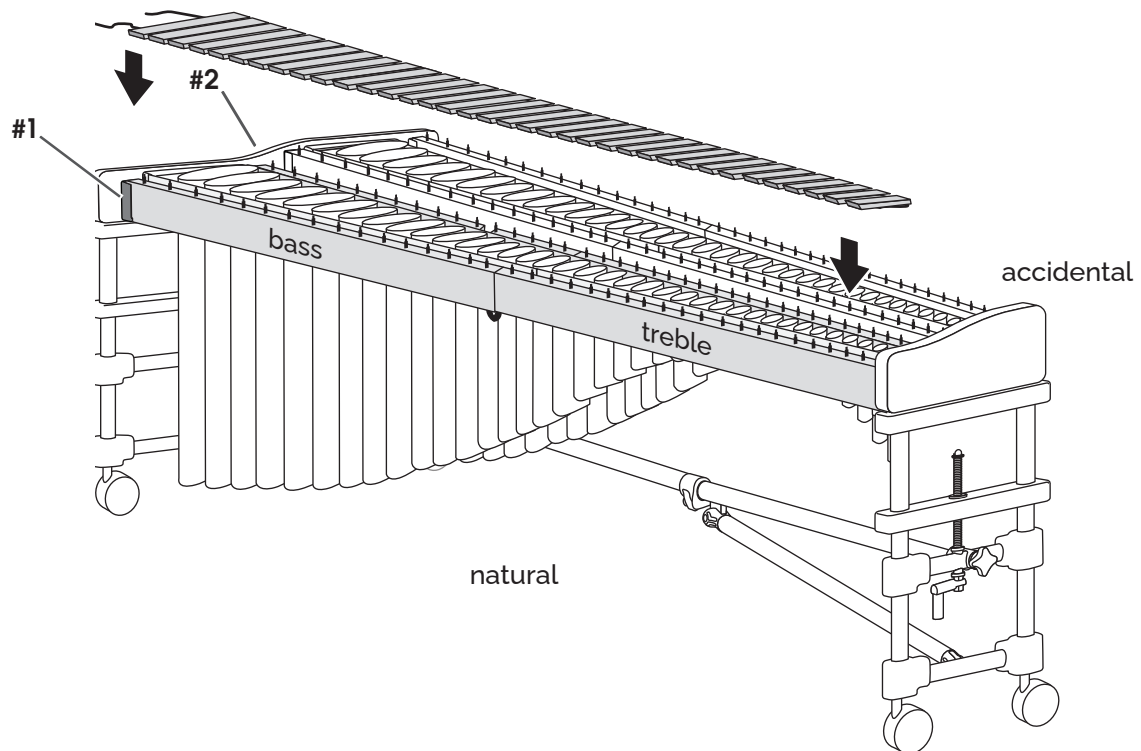


18**INSTALL RAILS # 1, #2, #3, AND #4**

Lower Rail #1, #2, #3 and #4 into the frame. Make sure the rails are fully engaged onto the flexible pins inside the slots.

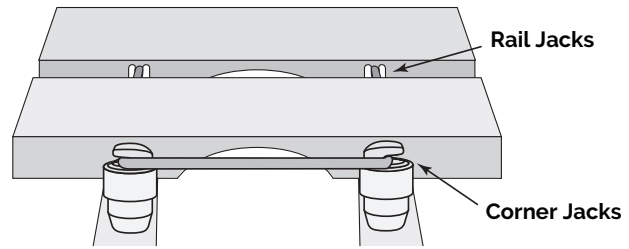
**19****INSTALL NATURAL BARS**

Carefully unroll heaviest bar bundle. With your assistant at one end and you at the other, lift the natural bars and lay them over rails #1 and #2.

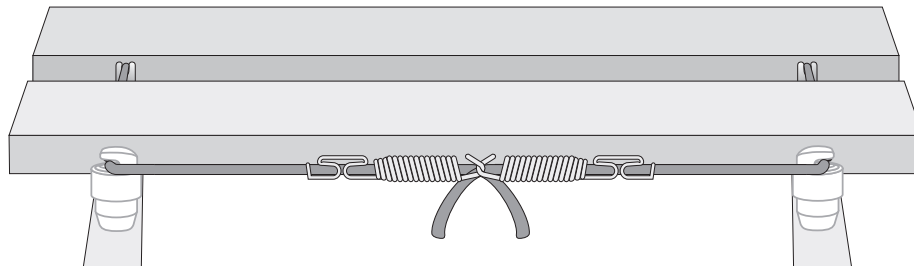


20**POSITION BARS ON RAILS**

Move each bar into its correct position, making sure that the cord rests on the jacks between each bar.

**21****PLACE BARS ON RAIL**

Once all the bars are in place, from the bass end pull the cord taut (pulling evenly on each end of the cord at the same time), hook the springs together and then loop the cord over the corner jacks (see illustration below).

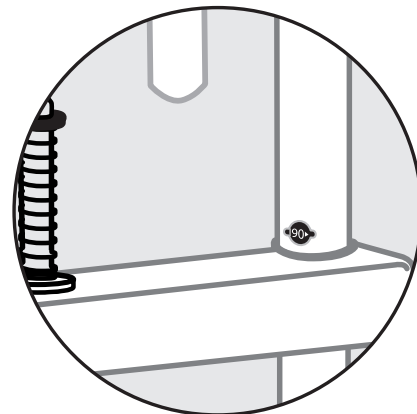
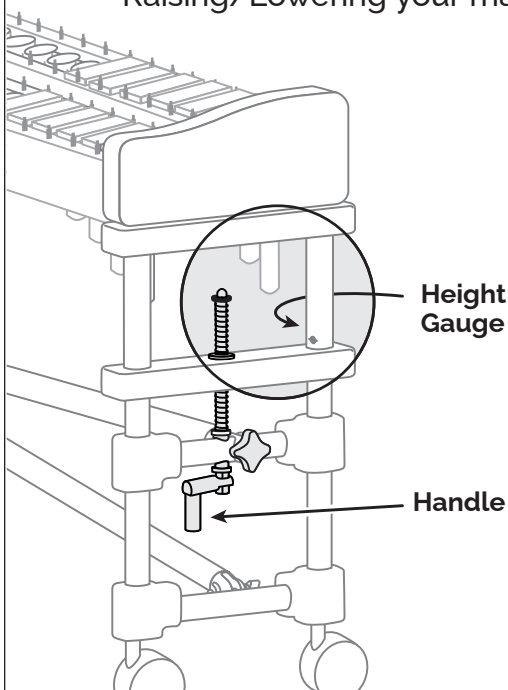
**22****FOLLOW SAME PROCEDURE FOR ACCIDENTAL BARS**

The bars go over every resonator that is plugged.

When you look from the top you can see the floor through the resonators without bars over them.

23**HEIGHT ADJUSTMENT:**

Raising/Lowering your marimba



Locate the height gauges on the inside of each end-frame (audience side).

Use these gauges to ensure that both end frames are always at the same height.

Raise or lower the marimba by turning the handles, one at each end.

Always adjust the height of the marimba with rails, resonators and bars installed.

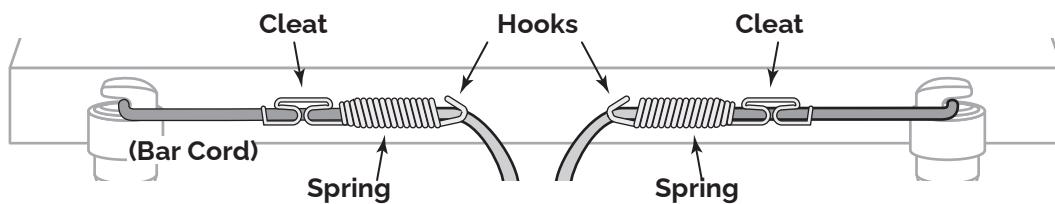
AFTER ASSEMBLY CARE & MAINTENANCE

- ✓ bar cord tension
- ✓ marimba cleaning
- ✓ moving the marimba
- ✓ sagging bars

bar cord tension

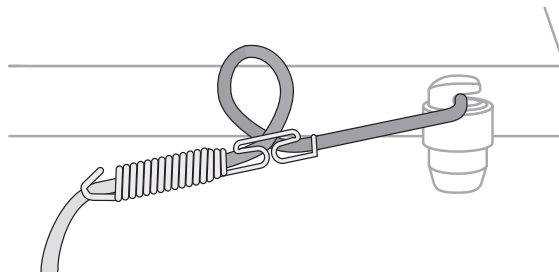
Over time, as you play your instrument, the cord that suspends the bars may loosen and need to be adjusted. To increase tension in the bar cord, use the cleats behind the springs to take up slack in the cord.

1 UNHOOK SPRINGS



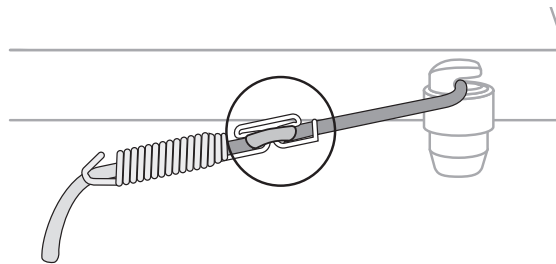
2 FORM LOOP IN CORD

At cleat, pull cord to make enough slack to form a loop.

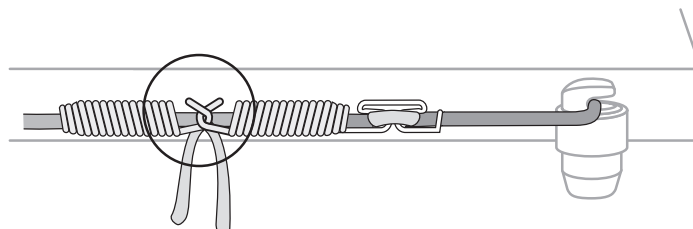


3 SLIP LOOP OVER CLEAT

Slip the loop down around the cleat. Pull the cord taut.



4 RE-HOOK SPRINGS



marimba cleaning

USE A SOFT COTTON CLOTH OR TOWEL DAMPENED WITH WATER ONLY.

Do not use furniture polish on your marimba! Most products of this type contain silicone, which will damage the finish and contaminate the wood.

moving the marimba

THE MARIMBA SHOULD ONLY BE LIFTED BY THE END FRAMES.

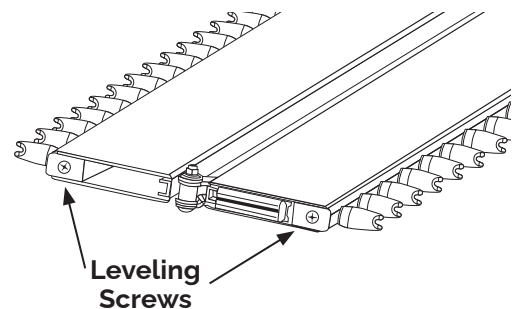
- Lifting by the rails will cause the rails to come out of their slots.
- When the marimba is moved, pass **SLOWLY** through doorways, over doorjambes, electrical cords, and uneven surfaces.

sagging bars

With time, the natural or accidental bars may sag over the length of the marimba.

CAREFULLY REMOVE THE BARS THAT ARE SAGGING.

- Lift out the rail that is no longer level and fold the rail to expose the stainless steel leveling screws.
- Use a Phillips head screwdriver.
- Turn **ONE** of the screws about an eighth of a turn counter clockwise from its present location.
- Replace the rail and check it again. Reposition the bars as before.





Marimba One™

BAR CHART

Do you need a bar replaced? Please contact us to schedule the replacement and refer to the bars as shown on this bar chart and include your serial number in your correspondence.

Keep your old bars until you receive new ones from us. That way, you're never without a bar on your marimba.

Remember: your bars are under warranty for the first year and we'll replace them at no cost (shipping not included). Beyond the first year, contact us for bar replacement pricing.

Shipping Address

Marimba One
901 O St
Suite D
Arcata CA 95521
USA

Email

percussion@marimbaone.com

Telephone

707.822.9570

5 Octave Marimba C2 to C7

5 1/2 Octave Marimba C2 to F7

BASS END

C2	C#2
D2	D#2
E2	
F2	F#2
G2	G#2
A2	A#2
B2	
C3	C#3
D3	D#3
E3	
F3	F#3
G3	G#3
A3	A#3
B3	
C4 (Mid C)	C#4
D4	D#4
E4	
F4	F#4
G4	G#4
A4	A#4
B4	
C5	C#5
D5	D#5
E5	
F5	F#5
G5	G#5
A5	A#5
B5	
C6	C#6
D6	D#6
E6	
F6	F#6
G6	G#6
A6	A#6
B6	
C7	C#7
D7	D#7
E7	
F7	

TREBLE END

WARRANTY

**YOU ARE THE OWNER OF ONE OF THE FINEST MARIMBAS IN THE WORLD
THE FOLLOWING WARRANTY PROTECTS YOUR INVESTMENT
PLEASE READ IT CAREFULLY**

Marimba One

Manufacturer of the world's finest percussion keyboards and mallets

**MARIMBA ONE WARRANTS ONLY TO THE ORIGINAL PURCHASER
THAT THIS INSTRUMENT IS FREE FROM DEFECTS IN MATERIALS
AND/OR WORKMANSHIP AS FOLLOWS:**

1. During a period of twelve (12) months from the date of receiving your instrument, Marimba One will pay all labor and materials necessary to repair any defective instrument or part thereof. We will repair a defective instrument or part at the location of our factory. The purchaser must pay all shipping charges to and from our factory in advance.
2. During a period of twelve (12) months from the date of receiving your instrument, Marimba One will replace at no charge any bar that fails to perform according to acceptable musical standards. Marimba One will replace any defective bar upon request by the purchaser. The purchaser must return the defective bar to the location of our factory upon receipt of the replacement bar. The purchaser must pay all shipping charges to and from our factory in advance.
3. During a period of twenty-four (24) months from the date of receiving your instrument, Marimba One will provide one free retuning of the entire keyboard of your instrument. Retuning will be at the location of our factory. The purchaser must pay all shipping charges to and from our factory in advance.
4. Natural variation occurring in colors, grains, or textures of wood and other materials which do not affect the musical performance of the instrument shall not be considered defects, Marimba One reserves the right to inspect any instrument claimed to be defective to determine if the cause is a manufacturing defect. Excluded from this warranty are all defects other than manufacturing defects. Specifically excluded are defects occurring as a result of use other than normal use, including any unauthorized alteration or repair of the instrument, defects occurring in the course of shipping, and other similar defects not related to the manufacture of the instrument.

REPAIR OR REPLACEMENT AS PROVIDED UNDER THIS WARRANTY IS THE EXCLUSIVE REMEDY OF THE PURCHASER, MARIMBA ONE SHALL NOT BE LIABLE FOR ANY INCIDENTAL OR CONSEQUENTIAL DAMAGES FOR BREACH OF ANY EXPRESS OR IMPLIED WARRANTY. EXCEPT TO THE EXTENT PROHIBITED BY APPLICABLE LAW, ANY IMPLIED WARRANTY OF MERCHANTABILITY OR FITNESS FOR A PARTICULAR PURPOSE IS LIMITED IN DURATION AND SCOPE TO THE DURATION AND SCOPE OF THIS WARRANTY. THIS WARRANTY IS NONTRANSFERABLE AND VALID ONLY TO THE ORIGINAL PURCHASER.

Marimba One

Telephone: (707) 822-9570

Email: percussion@marimbaone.com

LOCATION

901 O Street, Arcata, CA 95521 - U.S.A.

MAILING ADDRESS

Post Office Box 786, Arcata, CA 95518 - U.S.A.

INSTRUMENT SERIAL NO.: