

Marimba One™

**Educational Series
3.0 Octave Marimba
OWNER'S MANUAL**

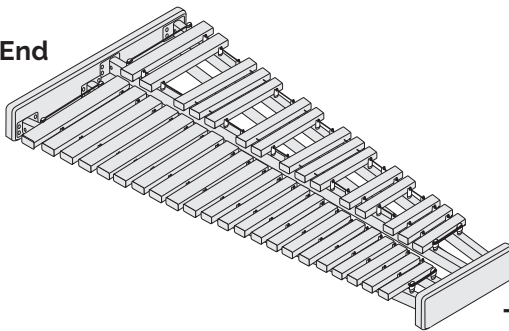
FOR ASSEMBLY, YOU WILL NEED:

- A large open space with carpet (or a blanket to cover the floor)
- An assistant to help you with assembly

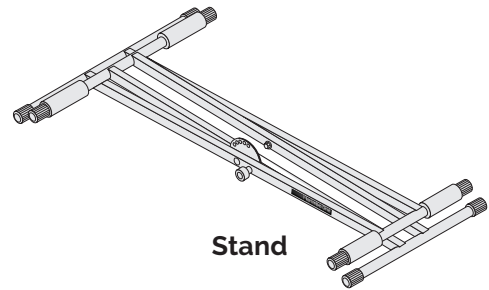
1 CAREFULLY UNPACK YOUR CRATE

Place the Harp and Stand in an open space with carpeting or on a blanket.

Bass End



Treble End



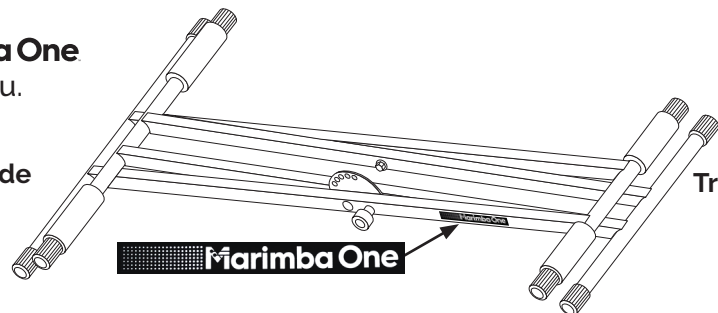
Stand

STAND

2 ORIENT STAND

Orient stand so the **Marimba One** logo is upright and facing you.

Bass side

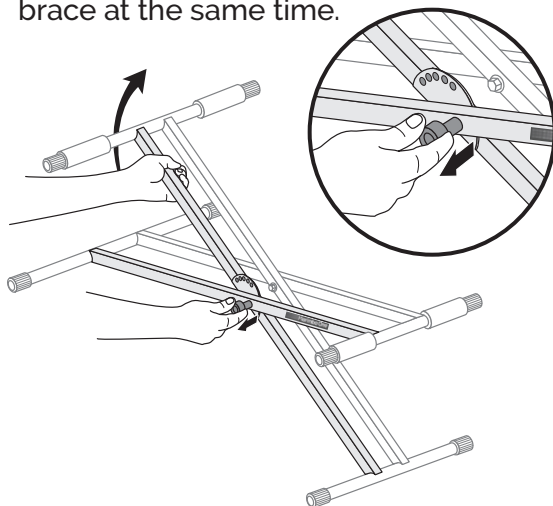


Treble side

Marimba One

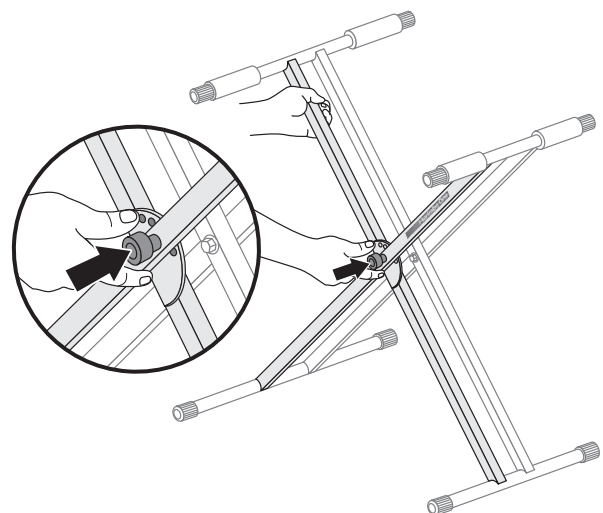
3 PULL KNOB

Pull knob and lift diagonal brace at the same time.



4 RAISE STAND

Release knob at desired height.



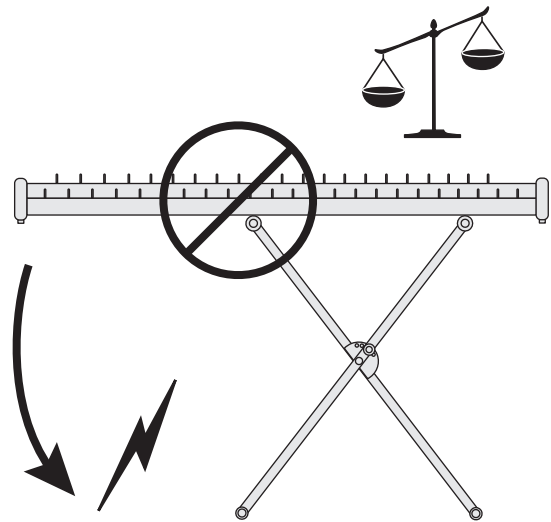
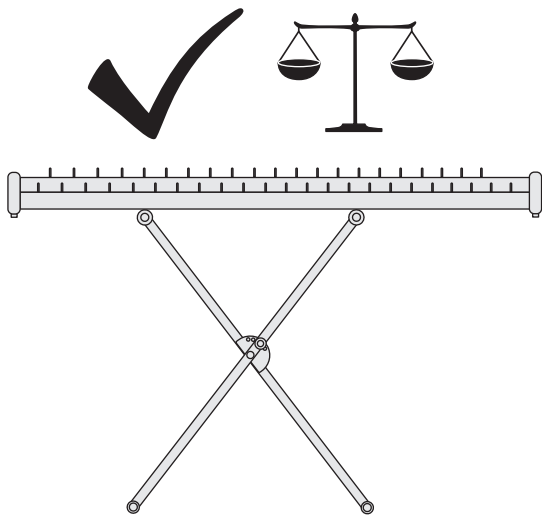
HARP

5

POSITION HARP

Bass end is heavier than Treble end.

Position Harp on stand with slightly more overhang on treble end.



harp position

Rail 1 and Support Tube should rest on pads.

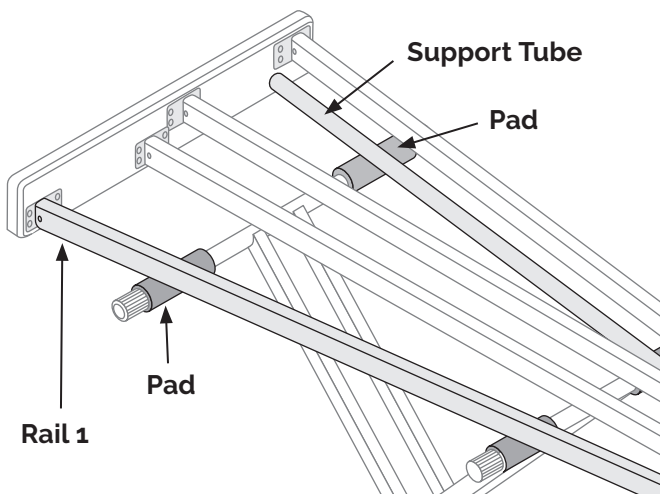
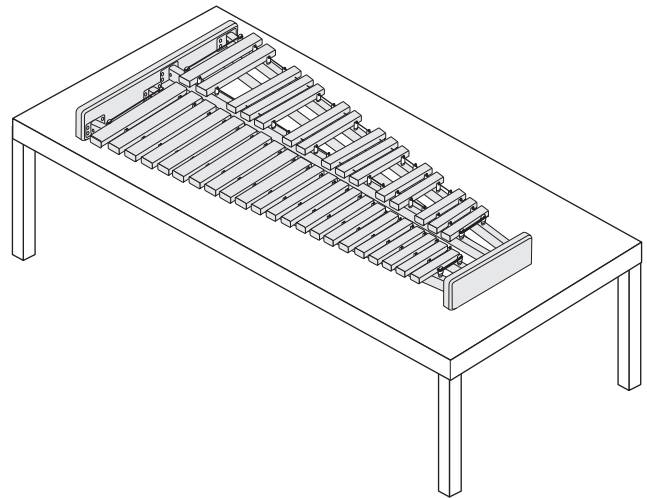


table-top option

Rubber feet on base of Harp allow for placement of Harp on any solid flat surface.



instrument cleaning

USE A SOFT COTTON CLOTH OR TOWEL DAMPENED WITH WATER ONLY.

Do not use furniture polish on your marimba! Most products of this type contain silicone, which will damage the finish and contaminate the wood.

WARRANTY

**YOU ARE THE OWNER OF ONE OF THE FINEST MARIMBAS IN THE WORLD
THE FOLLOWING WARRANTY PROTECTS YOUR INVESTMENT
PLEASE READ IT CAREFULLY**

Marimba One

Manufacturer of the world's finest percussion keyboards and mallets

**MARIMBA ONE WARRANTS ONLY TO THE ORIGINAL PURCHASER
THAT THIS INSTRUMENT IS FREE FROM DEFECTS IN MATERIALS
AND/OR WORKMANSHIP AS FOLLOWS:**

1. During a period of twelve (12) months from the date of receiving your instrument, Marimba One will pay all labor and materials necessary to repair any defective instrument or part thereof. We will repair a defective instrument or part at the location of our factory. The purchaser must pay all shipping charges to and from our factory in advance.
2. Natural variation occurring in colors, grains, or textures of wood and other materials which do not affect the musical performance of the instrument shall not be considered defects, Marimba One reserves the right to inspect any instrument claimed to be defective to determine if the cause is a manufacturing defect. Excluded from this warranty are all defects other than manufacturing defects. Specifically excluded are defects occurring as a result of use other than normal use, including any unauthorized alteration or repair of the instrument, defects occurring in the course of shipping, and other similar defects not related to the manufacture of the instrument.

REPAIR OR REPLACEMENT AS PROVIDED UNDER THIS WARRANTY IS THE EXCLUSIVE REMEDY OF THE PURCHASER, MARIMBA ONE SHALL NOT BE LIABLE FOR ANY INCIDENTAL OR CONSEQUENTIAL DAMAGES FOR BREACH OF ANY EXPRESS OR IMPLIED WARRANTY. EXCEPT TO THE EXTENT PROHIBITED BY APPLICABLE LAW, ANY IMPLIED WARRANTY OF MERCHANTABILITY OR FITNESS FOR A PARTICULAR PURPOSE IS LIMITED IN DURATION AND SCOPE TO THE DURATION AND SCOPE OF THIS WARRANTY. THIS WARRANTY IS NONTRANSFERABLE AND VALID ONLY TO THE ORIGINAL PURCHASER.

Marimba One

Telephone: (707) 822-9570
Email: percussion@marimbaone.com

LOCATION

901 O Street, Arcata, CA 95521 - U.S.A.

MAILING ADDRESS

Post Office Box 786, Arcata, CA 95518 - U.S.A.

INSTRUMENT SERIAL NO.: